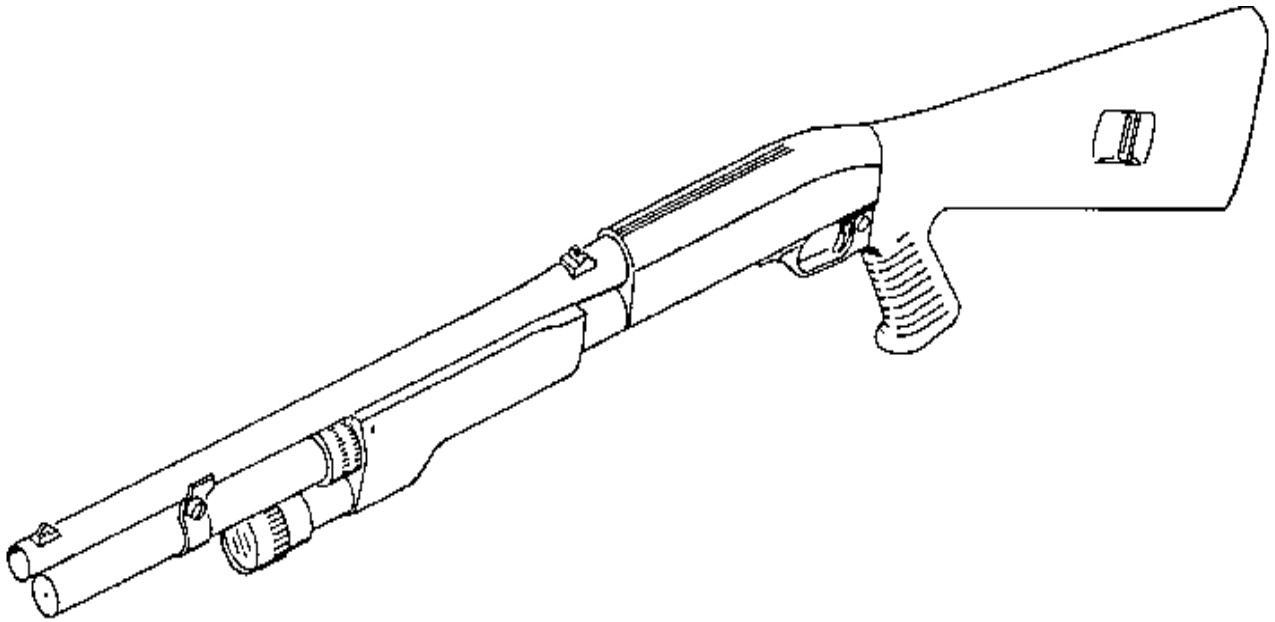




**Model 616  
Benelli  
Tactical Light**

---

***Users Manual***



**BENELLI SHOTGUN**

M1 Super 90 12 Gauge  
Serial No. M104800 and earlier

# Model 616 Tactical Light

---

## Introduction

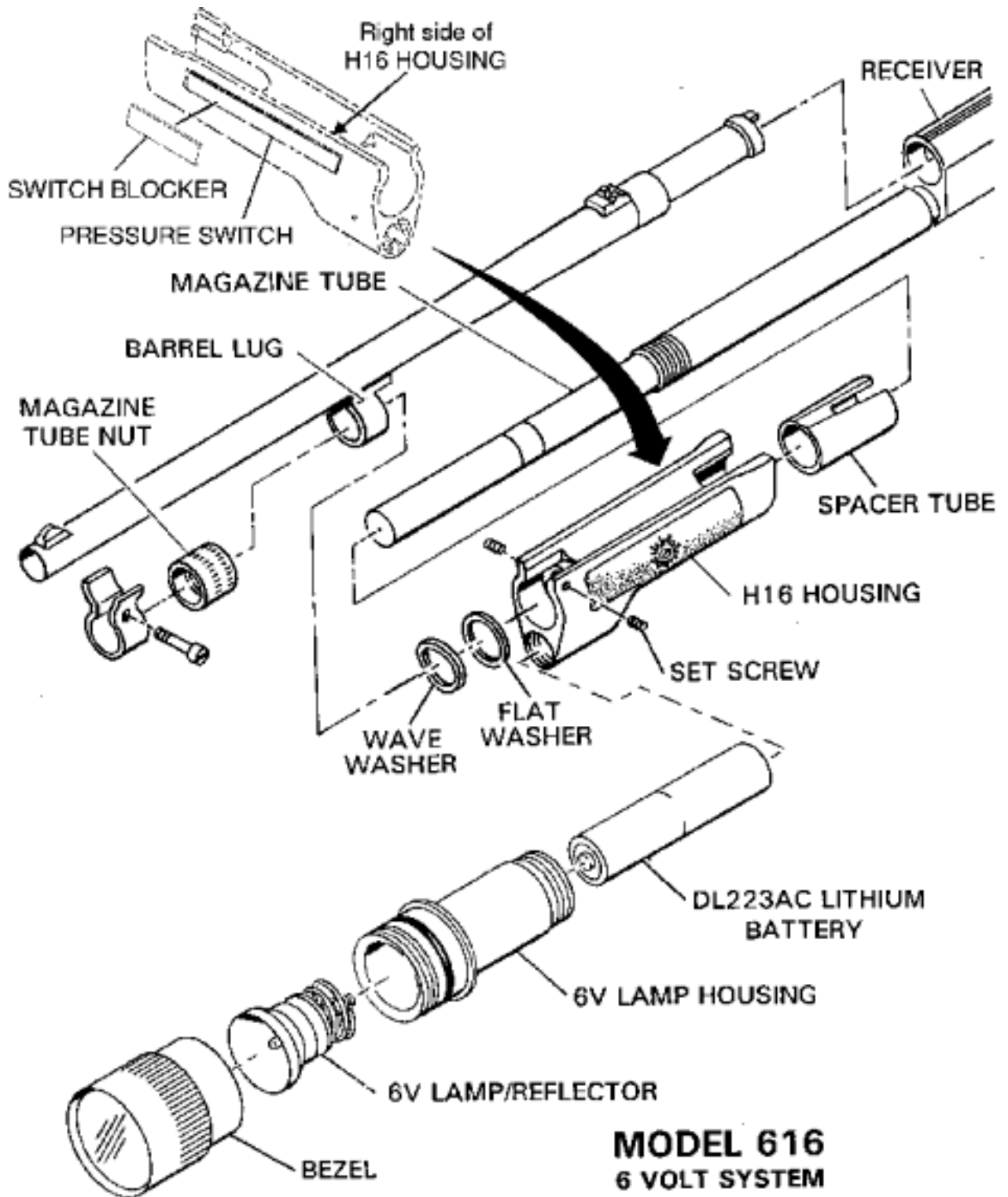
The Model 616 Tactical Light provides a rugged and reliable source of high intensity light that is integrated into the fore-arm of the shotgun. The lamp is shock isolated & can be activated by pressing the pressure switch along the right side of the fore-arm. A switch blocker is provided for users that want to reduce the functional size of the pressure switch.

## Installation

1. Put Safety on safe. Open action and make certain no shells remain in chamber or magazine. Close action and remove Magazine Nut and Barrel.
2. Remove fore-end from Magazine Tube.
3. Insert washers into the front cavity of the H16 Housing. Insert Flat Washer first then Wave Washer.\* Insert the Spacer Tube into the back of the H16 Housing with the slotted end facing out and the grooved part facing up.
4. Slide the Housing onto the Magazine Tube part way, then lay the Barrel on the Housing. Slide the Barrel into the receiver and at the same time slip the Barrel Lug onto the Magazine Tube and into the Housing.
5. Install Magazine Tube Nut and tighten.
6. Adjust Set Screws in H16 Housing to limit rotation of the Housing.
7. If the sling retainer is required, it must be modified by grinding or filing the sides to match the flat at the top. Both sides must be filed.\*\*
8. Install Battery into Housing with the + terminal facing out.
9. Install Lamp Module into Housing.
10. Apply finger pressure to the Pressure Switch on the right side of the Housing. The light should come on. Installation is now complete.
11. Test fire the weapon to insure that the boresight has not changed. A shift in pointing may occur after installing the tactical light on the weapon.

\* If the weapon does not have the Flat and Wave Washers, order the Z18 Washer Kit from Sure-Fire LLC.

\*\* Sling retainer can only be used facing to the left or right.



# Model 616 Tactical Light

---

## Kit Contents

- H16 Housing
- L60 Lamp Module
- DL223AC Battery
- Spacer Tube
- Hex Wrench
- Model Z10 Switch Blocker
- Alcohol Wipe
- Users Manual

## Switch Blocker Installation

If you want to disable the part of the pressure switch where you rest your hand, (and don't want the light to come on) you can cover it with the Model Z10 Switch Blocker. First clean the portion of the Pressure Switch to be disabled using the Alcohol Wipe from the Kit. Then remove the paper backing from the underside of the Switch Blocker and press the Switch Blocker in place on the Pressure Switch.

## Battery Replacement

1. Unscrew Lamp Module from Housing and shake out old battery.
2. Install new battery with the + terminal facing out.
3. Reinstall Lamp Module.

## Lamp Replacement

1. Unscrew Bezel from Lamp Module. Lift Lamp assembly out of Bezel.
2. Install replacement Lamp Assembly in Bezel and reassemble by screwing onto Lamp Housing until it is fully seated.

### **WARNING**

*Lithium batteries can explode or cause burns if disassembled, shorted, recharged or exposed to fire or high temperatures. Please handle with care.*

## Model 616 Tactical Light

---

### **Caution**

The battery used in the light is very powerful. Be sure that the switch is not touching anything when the light is stored. If the lamp is turned on while in a case or other container, the lamp can overheat and damage the light or surrounding materials. Remove the battery or unscrew the bezel far enough to prevent the lamp from turning on when stored.

If it is necessary to dispose of any batteries, do not do so by fire, mutilation or by disassembly, as this may cause toxic chemicals to be released.

### **Repairs & Replacements**

To obtain repair or replacement call Customer Service at 800-828-8809 (toll free) or 714-545-9444 and obtain a Return Authorization number (RA). Then pack the unit carefully and return (no COD's please) to:

SureFire LLC  
Repairs Department, RA# \_\_\_\_  
18300 Mt. Baldy Circle  
Fountain Valley, CA 92708

Surefire will pay any reasonable shipping costs to return the unit to you.

### **Warranty**

**SureFire LLC warrants that its products will be free from defects in materials and workmanship. SureFire LLC will repair or replace (at its option), without charge, any product or part which is found to be defective under normal use and service. Such repair or replacement shall be the purchaser's sole and exclusive remedy under this warranty. This warranty does not include normal maintenance and services and does not apply to any products or parts which have been subject to modification, misuse, negligence, accident, improper maintenance or repair by anyone other than SureFire.**

### ***"Fine Print" Warranty Limitation***

***There is no other express warranty. SureFire LLC hereby disclaims any and all implied warranties, including, but not limited to fitness for a particular purpose. SureFire LLC shall not be liable for incidental, consequential, or special damages arising out of, or in connection with product use or performance.***

Um\_H16\_5.801