

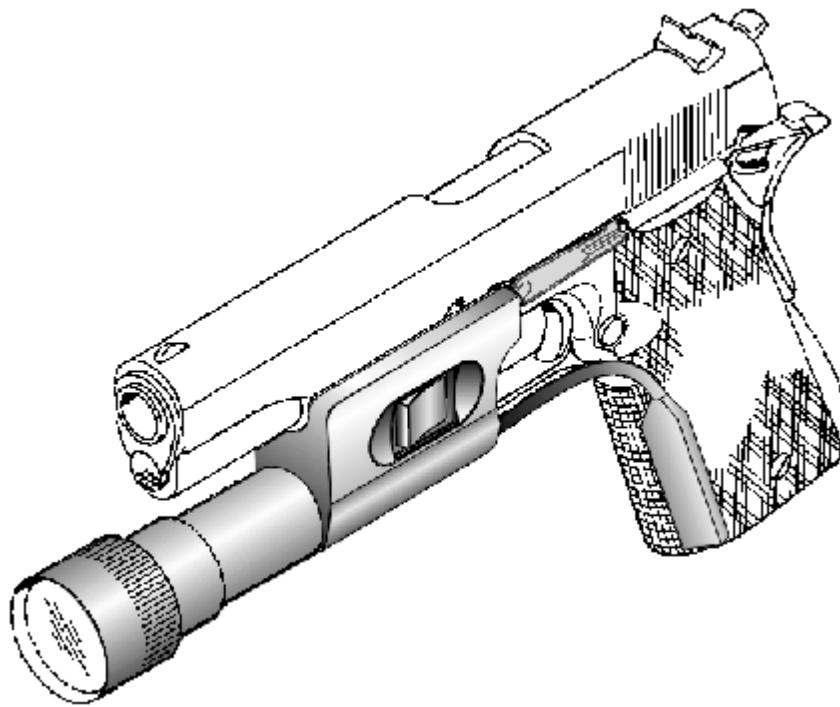


We Put the Power of Light in Your Hand

Model 307
607

Para-Ordinance Tactical Light

Users Manual



Para-Ordinance Pistols
.45 caliber

Protected by US. Patents 4,777,754, 4,856,218 & 5,654,594

Revision C 3_1_99

Model 307 & 607 Tactical Light

Introduction

The Model 307 & 607 Tactical Lights provide a rugged and reliable source of high intensity light mounted below the barrel of the weapon. There are two switches that can be used to activate the light. Press on the Pressure Switch attached to the handgrip, the light will come ON and stay ON as long as pressure is applied. Operate the ON/OFF Switch on the left side of the Housing and the light will come and stay ON until the OFF switch is pressed.

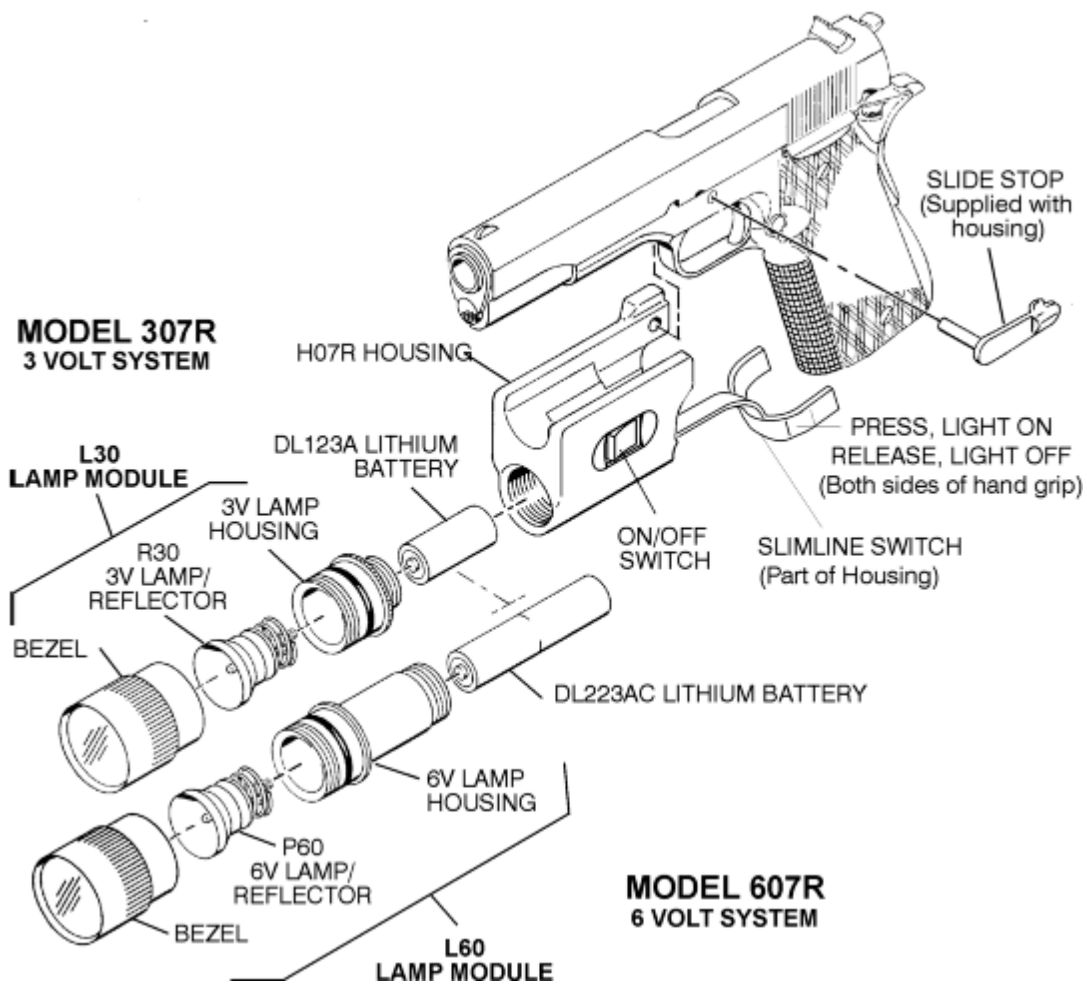
Kit Contents

- H07 Housing & Slide Stop
- L30 or L60 Lamp Module
- DL123A or DL223AC Battery
- Velcro Hook & Loop
- Extra Set Screw
- Hex Wrench
- Alcohol Wipe
- Users Manual

* Additional set screws are available in a Ten Pack, order P/N 12010-11.

Installation

1. Remove the magazine from the weapon and inspect the weapon to be certain it is not loaded.
2. Disassemble weapon far enough to remove slide stop.
3. Position H07 Housing so that hole in side is aligned with slide stop hole on the frame.
4. Install new Slide Stop.
5. Reassemble weapon as necessary.
6. Using the Hex Wrench provided in the Kit, tighten the Set Screw in the base of the Housing until it contacts the trigger guard then turn the set screw out 1/8 turn so as not to put tension on the Slide Stop. After firing 500 rounds the Set Screw may loosen, remove it and install the extra Set Screw provided in the Kit.*
7. Select the location desired on the weapon for mounting the Pressure Switch.
8. Using the Velcro provided in the Kit, remove the paper backing from the “loop” section of Velcro and press in place on clean area. Wipe with alcohol first!
9. Wipe the rear (flat) side of the Pressure Switch with alcohol to remove oil & dirt.
10. Remove the paper backing from the Velcro “hook” and press it in place on the rear side of the Pressure Switch.
11. Using Velcro, position the Pressure Switch on the weapon. Route the cable so that it does not interfere with the weapon operation.
12. Install the battery with the + terminal facing out.
13. Install the Lamp Module Assembly. Unit is now ready for use.



Model 307 & 607 Tactical Light

Lamp Replacement

1. Unscrew Bezel from Lamp Module. Lift Lamp assembly out of Bezel.
2. Install replacement Lamp Assembly in Bezel and reassemble by screwing onto Lamp Housing until it is fully seated.

Battery Replacement

1. Unscrew Lamp Module from Housing and shake out old battery.
2. Install new battery with the + terminal facing out.
3. Reinstall Lamp Module.

WARNING

Lithium batteries can explode or cause burns if disassembled, shorted, recharged or exposed to fire or high temperatures. Please handle with care.

Model 307 & 607 Tactical Light

Caution

The battery used in the light is very powerful. Be sure that the switch is not touching anything when the light is stored. If the lamp is turned on while in a case or other container, the lamp can overheat and damage the light or surrounding materials. Remove the battery or unscrew the bezel far enough to prevent the lamp from turning on when stored.

Do not use a 3 Volt Lamp Assembly in a 6 Volt system. The lamp will burn out Immediately!!! To identify a lamp assembly: the 3 volt lamp has a Red label and is marked R30, the 6 volt has a Blue or Green label and is marked R60 or P60.

If it is necessary to dispose of any batteries, do not do so by fire, mutilation or by disassembly, as this may cause toxic chemicals to be released.

Repairs & Replacements

To obtain repair or replacement call Customer Service at 800-828-8809 (toll free) or 714-545-9444 and obtain a Return Authorization number (RA). Then pack the unit carefully and return (no COD's please) to:

SureFire LLC
Repairs Department, RA# ____
18300 Mt. Baldy Circle
Fountain Valley, CA 92708

Surefire will pay any reasonable shipping costs to return the unit to you.

Warranty

SureFire warrants that its products will be free from defects in materials and workmanship. SureFire will repair or replace (at its option), without charge, any product or part which is found to be defective under normal use and service. Such repair or replacement shall be the purchaser's sole and exclusive remedy under this warranty. This warranty does not include normal maintenance and services and does not apply to any products or parts which have been subject to modification, misuse, negligence, accident, improper maintenance or repair by anyone other than SureFire.

"Fine Print" Warranty Limitation

There is no other express warranty. SureFire hereby disclaims any and all implied warranties, including, but not limited to fitness for a particular purpose. SureFire shall not be liable for incidental, consequential, or special damages arising out of, or in connection with product use or performance.

m_H07_9.301

WARNING

Lithium batteries can explode or cause burns if disassembled, shorted, recharged or exposed to fire or high temperatures. Please handle with care.