



*We Put the Power of Light in Your Hand*

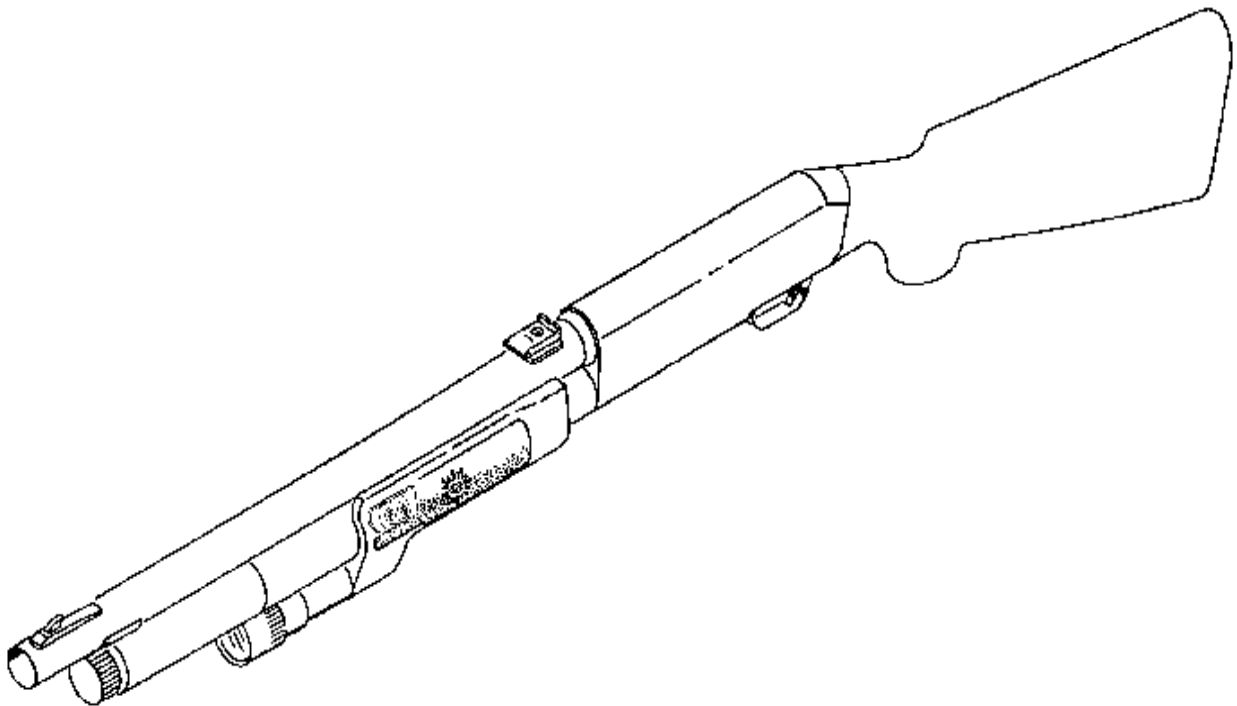
**Model 306**

**606**

**Beretta Tactical Light**

---

***Users Manual***



**Beretta 1200 PF**

**12 Gauge Shotgun**

Protected by US. Patent 4,856,218

**Revision D 7\_1\_97**

# Model 306 & 606 Tactical Light

---

## Introduction

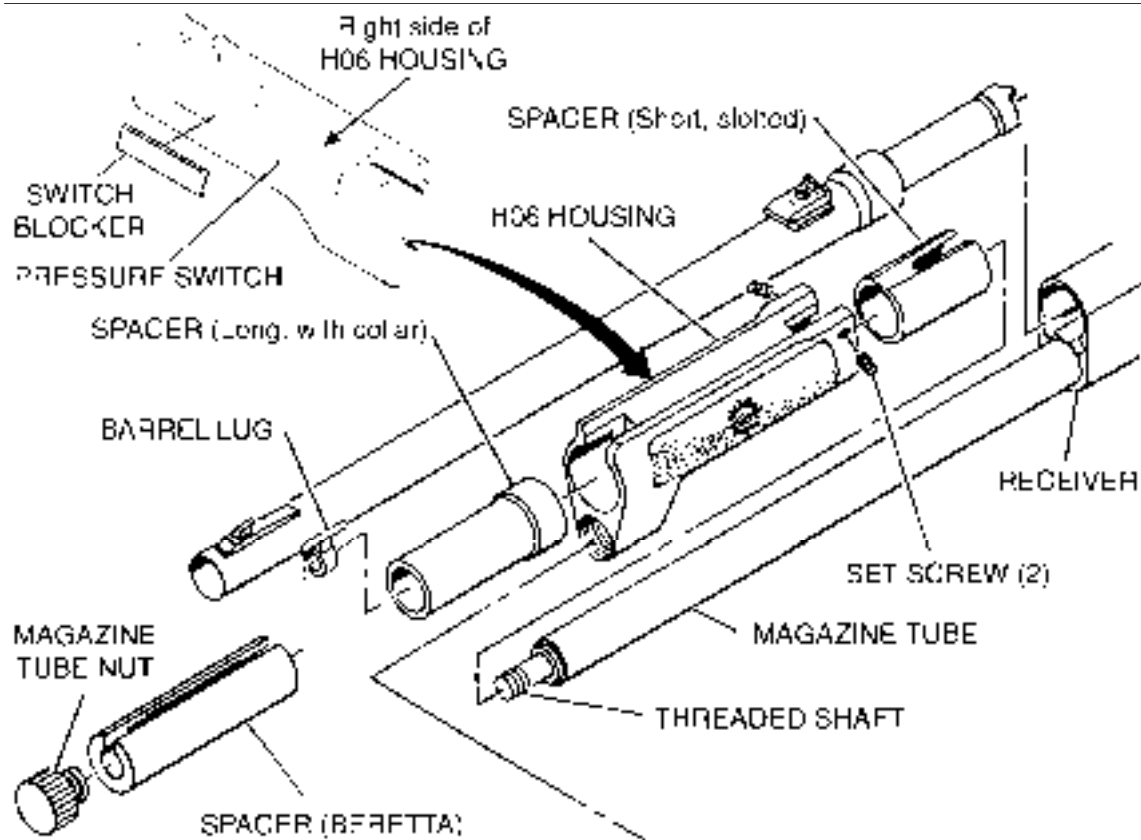
The Model 306 & 606 Tactical Lights provide a rugged and reliable source of high intensity light that is integrated into the fore-arm of the shotgun. The lamp is shock isolated & can be activated by pressing the pressure switch along the right side of the fore-arm. A switch blocker is provided for users that want to reduce the functional size of the pressure switch.

## Kit Contents

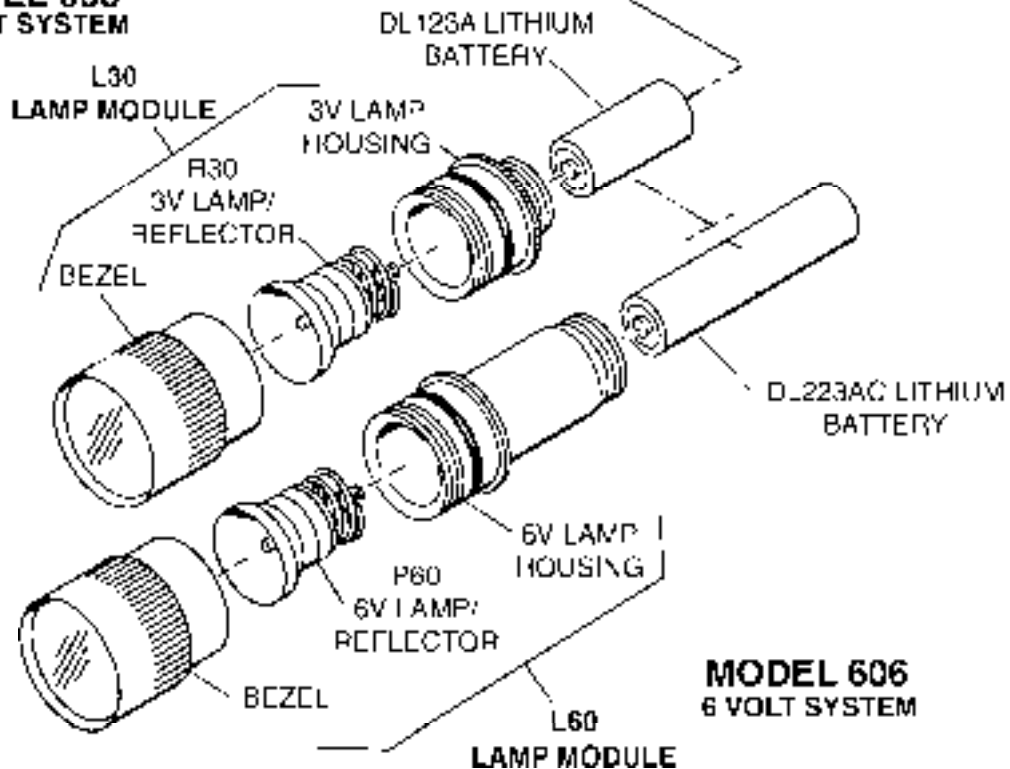
- H06 Housing
- L30 or L60 Lamp
- Spacer (short, slotted)
- Spacer (long with collar)
- DL123A or DL223AC Battery
- Model Z10 Switch Blocker
- Hex Wrench
- Alcohol Wipe
- Users Manual

## Installation

1. Put Safety on safe. Open action and make certain no shells remain in the chamber or magazine. Close action and remove Magazine Nut and barrel. Remove the Beretta Spacer and fore-end hand grip from the Magazine Tube.
2. Take the shortest Spacer from the Kit and install it on the Magazine Tube with the open slot of the Spacer toward the Receiver and the slot facing up.
3. Install the H06 Housing onto the Magazine Tube and slide it over the end of the short Spacer.
4. Take the second Spacer from the Kit and slide it, collar end first, onto the Magazine Tube and into the H06 Housing.
5. Lay the Barrel on the Housing and slide Barrel, Spacers and Housing toward the Receiver until the Barrel engages the Receiver and the Barrel Lug fits over the Threaded Shaft on the end of the Magazine Tube.
6. Slide the Beretta Spacer over the Lug on the Barrel and onto the Magazine Tube.
7. Install the Magazine Tube Nut and tighten it.
8. Using the Hex Wrench from the Kit adjust the Set Screws in the H06 Housing to limit rotation of the Housing.
9. Install the Battery into Housing with + terminal facing out.
10. Install the Lamp Module into Housing.
11. Apply pressure to the Pressure Switch the light should come on. Installation is now complete.
12. Test fire weapon to insure that the boresight has not changed.



**MODEL 306**  
3 VOLT SYSTEM



# Model 306 & 606 Tactical Light

---

## Switch Blocker Installation

If you want to disable the part of the pressure switch where you rest your hand, (and don't want the light to come on) you can cover it with the Model Z10 Switch Blocker. First clean the portion of the Pressure Switch to be disabled using the Alcohol Wipe from the Kit. Then remove the paper backing from the underside of the Switch Blocker and press the Switch Blocker in place on the Pressure Switch.

## Battery Replacement

1. Unscrew Lamp Module from Housing and shake out old battery.
2. Install new battery with the + terminal facing out.
3. Reinstall Lamp Module.

## Lamp Replacement

1. Unscrew Bezel from Lamp Module.
2. Install replacement Lamp/Reflector in Bezel and reassemble by screwing onto Lamp Housing until it is fully seated.

### CAUTION

DO NOT USE Reduced Recoil or Tactical Load ammunition with this housing. The shells will not feed properly.

## Model 306 & 606 Tactical Light

---

### Caution

The battery used in the light is very powerful. Be sure that the switch is not touching anything when the light is stored. If the lamp is turned on while in a case or other container, the lamp can overheat and damage the light or surrounding materials. Remove the battery or unscrew the bezel far enough to prevent the lamp from turning on when stored.

Do not use a 3 Volt Lamp Assembly in a 6 Volt system. The lamp will burn out Immediately!!! To identify a lamp assembly: the 3 volt lamp has a Red label and is marked R30, the 6 volt has a Blue or Green label and is marked R60 or P60.

If it is necessary to dispose of any batteries, do not do so by fire, mutilation or by disassembly, as this may cause toxic chemicals to be released.

### Repairs & Replacements

To obtain repair or replacement call Customer Service at 800-828-8809 (toll free) or 714-545-9444 and obtain a Return Authorization number (RA). Then pack the unit carefully and return (no COD's please) to:

SureFire LLC  
Repairs Department, RA# \_\_\_\_  
18300 Mt. Baldy Circle  
Fountain Valley, CA 92708

Surefire will pay any reasonable shipping costs to return the unit to you.

### Warranty

**SureFire warrants that its products will be free from defects in materials and workmanship. SureFire will repair or replace (at its option), without charge, any product or part which is found to be defective under normal use and service. Such repair or replacement shall be the purchaser's sole and exclusive remedy under this warranty. This warranty does not include normal maintenance and services and does not apply to any products or parts which have been subject to modification, misuse, negligence, accident, improper maintenance or repair by anyone other than SureFire.**

### *"Fine Print" Warranty Limitation*

***There is no other express warranty. SureFire hereby disclaims any and all implied warranties, including, but not limited to fitness for a particular purpose. SureFire shall not be liable for incidental, consequential, or special damages arising out of, or in connection with product use or performance.***

### WARNING

*Lithium batteries can explode or cause burns if disassembled, shorted, recharged or exposed to fire or high temperatures.  
Please handle with care.*