



# Smith & Wesson®

## Owner's Manual

---

### Revolvers - Modern Style -



Read the instructions and  
warnings in this manual  
**CAREFULLY BEFORE** using  
this firearm.

2100 Roosevelt Avenue • Springfield, MA 01104  
1-800-331-0852 • Fax: 413-747-3317  
[www.smith-wesson.com](http://www.smith-wesson.com)

**READ THESE INSTRUCTIONS  
AND WARNINGS CAREFULLY. BE  
SURE YOU UNDERSTAND THESE  
INSTRUCTIONS AND WARNINGS  
BEFORE USING THIS FIREARM.**

**This SAFETY, INSTRUCTION  
and PARTS MANUAL should  
always accompany this firearm  
and be transferred with it upon  
change of ownership or presented  
to another person. A copy of the  
SAFETY, INSTRUCTION, & PARTS  
MANUAL is available FREE upon  
request from:**

**SMITH & WESSON  
CUSTOMER SUPPORT CENTER  
2100 ROOSEVELT AVENUE  
SPRINGFIELD, MA 01104  
TEL.: 1-800-331-0852  
E-mail: [qa@smith-wesson.com](mailto:qa@smith-wesson.com)**

---

# **INDEX**

---

SAFETY . . . . .	4
BASIC FIREARMS SAFETY RULES . . . . .	5-6
SAFE STORAGE & TRANSPORTATION . . . . .	7-8
NOMENCLATURE . . . . .	8-9
PREPARATION FOR FIRING . . . . .	9-10
AMMUNITION . . . . .	10-12
AMMUNITION WARNING - Ti, Sc, PD SERIES .13	
MODEL NUMBER IDENTIFICATION . . . . .	14
INSPECTING YOUR REVOLVER . . . . .	15
INTERNAL LOCK MECHANISM . . . . .	15-17
LOADING . . . . .	18
FIRING . . . . .	18-20
CLEARING MISFIRES . . . . .	21
UNLOADING . . . . .	21
SIGHT ADJUSTMENT . . . . .	22
PRODUCT WARNING . . . . .	22
CLEANING & MAINTENANCE . . . . .	23
SERVICE, SHIPPING & PARTS . . . . .	24-25
WARRANTY . . . . .	26
EXTENDED SERVICE POLICY . . . . .	27
COMPONENT PARTS . . . . .	28-29
GUNSMITH WARNING . . . . .	30
WARNINGS . . . . .	31

---

# **SAFETY**

---

## **SAFETY IS YOUR NUMBER ONE RESPONSIBILITY!!!!**



**WARNING: YOU MUST FOLLOW ALL OF THESE SAFETY RULES TO ENSURE THE SAFE USE OF YOUR FIREARM**

- **Safe gun handling is YOUR personal responsibility at all times.** Firearms are dangerous and can cause serious injury and death if they are misused or used inappropriately. Safety must be the prime consideration of anyone who owns or handles firearms.
- **You are responsible for the firearm at all times.** In owning a firearm, you must undertake full-time responsibility for your firearm's safety and security. You must protect yourself and all others against injury or death from misuse of the firearm.
- **Safe storage is your responsibility.** In particular, you must secure firearms safely from children and unauthorized users. A lock has been provided for your use with this firearm. A lock is not a substitute for safe and secure storage as defined in the "Safe Storage and Transportation" section of this manual.
- **Accidents are the result of violating the rules of safe gun handling and common sense.**
- **For your safety and the safety of others, never rely on mechanical features alone.** Only your safe gun-handling habits will ensure the safe use of your firearm. This is your responsibility.
- **Never keep ammunition in the same location as the handgun.** Store in a separate and secure place.
- **READ and UNDERSTAND these instructions before using your firearm.**

---

# **BASIC FIREARM SAFETY RULES**

---

At home, in the field, at the range, or anywhere, the first concern of every firearm owner should be safety. Apply the following safety rules in every situation, with any kind of firearm.



## **WARNING!**

**THE FAILURE TO FOLLOW THESE BASIC FIREARM SAFETY RULES MAY RESULT IN AN UNINTENDED DISCHARGE WHICH COULD CAUSE SERIOUS PERSONAL INJURY OR DEATH.**

- **BEFORE HANDLING ANY FIREARM, UNDERSTAND ITS OPERATION.** Not all firearms are the same. Familiarize yourself with the mechanical features of any firearm you intend to use. If you feel uncertain about any operational aspects of your handgun, please contact Smith & Wesson at 1-800-331-0852 before proceeding with its operation.
- **ALWAYS SAFELY STORE AND SECURE YOUR FIREARM.** Safe and secure storage of your firearm is one of the most important responsibilities of firearms ownership. It is a full-time responsibility. You must always secure your firearm and ammunition separately so that they are not accessible to children or other unauthorized persons. (See Safe Storage Instructions)
- **ALWAYS TREAT EVERY FIREARM AS IF IT WERE LOADED AND WOULD FIRE IF THE TRIGGER IS PULLED.** Do not take anyone's word that the firearm is unloaded – always check for yourself. Never pass your firearm to another person until the cylinder or action is open and you visually check that it is unloaded. Keep your firearm unloaded and safely stored when not in use.
- **ALWAYS KEEP YOUR FIREARM POINTED IN A SAFE DIRECTION.** Never point a firearm at anyone or anything you do not intend to shoot whether or not it is loaded. This is particularly important when loading, unloading, or field stripping the gun. ALWAYS control the direction of the firearm.
- **NEVER PLACE YOUR FINGER INSIDE THE TRIGGER GUARD UNLESS YOU INTEND TO FIRE.** Your firearm cannot fire unless the trigger is pulled. Ensure that other objects do not touch the trigger.
- **ALWAYS BE SURE OF YOUR TARGET AND WHAT IS BEYOND IT.** Always be sure of where the bullet will strike and shoot only where there is a safe backstop free of obstructions, water or other surfaces which can cause ricochets. Do not fire into the sky.

## **BASIC FIREARM SAFETY RULES CONT'D.**

### **ADDITIONAL IMPORTANT SAFETY RULES**

- Never carry or store a firearm with the hammer or striker in the cocked position.
- Do not allow a firearm to be used by individuals who have not read these basic firearms safety rules and do not understand its safe operation and the rules of safe gun-handling.
- Be sure all accessories, such as holsters and grips, are compatible with the firearm and that the accessories do not interfere with safe operation.
- Use the correct ammunition for your particular firearm as indicated by the marking on the barrel. Never use non-standard, reloaded, or "handloaded" ammunition which has not been subjected to internal ballistic pressure testing.
- Discharging firearms in poorly ventilated areas, cleaning firearms, or handling ammunition may result in exposure to lead and other substances known to cause birth defects, reproductive harm, and other serious physical injury. Review the warnings and labels for all ammunition and cleaning products carefully. Have adequate ventilation at all times. Wash hands thoroughly after exposure.
- Never use alcohol or drugs before or while shooting. Do not use your firearm if you are on any medication which impairs, even slightly, your mental or physical ability.
- Wear eye and hearing protection appropriate for firearm use every time you discharge your firearm. Make sure others in the vicinity of where you will be shooting do so as well.
- Do not allow any alteration or replacement of parts in your Smith & Wesson firearm unless performed by a qualified gunsmith using genuine Smith & Wesson parts. If you do otherwise, improper functioning of your firearm may occur and serious injury may result.
- Never cross obstacles such as fences or streams with a loaded firearm.
- Firearm safety training is available. Contact your dealer, Law Enforcement Agency, local sportsman's club, etc. for availability.
- Appropriate use for your firearm means using your firearm for legal purposes. For example - target shooting and lawful resistance of deadly criminal force.
- These are basic firearms safety rules. There are other common sense safety rules that should be followed at all times under the circumstances then presented.  
**SAFE USE OF A FIREARM IS YOUR PERSONAL RESPONSIBILITY AND THE FAILURE TO FOLLOW ALL OF THESE BASIC SAFETY RULES MAY RESULT IN SEVERE PERSONAL INJURY OR DEATH.**

---

# **SAFE STORAGE & TRANSPORTATION**

---



**WARNING: SAFE AND SECURE STORAGE OF YOUR FIREARM IS ONE OF THE MOST IMPORTANT RULES OF FIREARM SAFETY. YOUR FAILURE TO FOLLOW THESE RULES MAY RESULT IN SERIOUS INJURY OR DEATH.**

- You must always secure your firearm and ammunition separately so that they are not accessible to children or other unauthorized persons.
- Safe and secure storage and transportation of your firearm are your responsibility. It is a full-time responsibility.
- **ALWAYS STORE YOUR FIREARM UNLOADED.** Your firearm and ammunition should be stored separately in places and in a manner inaccessible to children and unauthorized persons.
- **SMITH & WESSON HAS PROVIDED A LOCK FOR USE WITH YOUR FIREARM.** There are also a variety of other locks and safe storage containers available in the marketplace which may be appropriate for your particular needs. Consult your local gunshop, hardware store, or local police department for guidance on the variety of other safe storage devices or practices which may be appropriate for your particular needs. By purchasing this firearm you have taken on the responsibility of safely securing the firearm at all times and preventing its unauthorized use. It is your personal responsibility to select and use whatever devices or practices that will enable you to safely secure your firearm at all times.



**DO NOT USE A LOCK ON A LOADED HANDGUN AND NEVER LOAD A LOCKED HANDGUN!!**



**Only you can determine what devices or practices are appropriate for the safe storage of your firearm and your ammunition.**

- **NEVER ASSUME THAT A "HIDING" PLACE IS A SECURE STORAGE METHOD.** Others may be aware of your storage location or come upon it by chance. It is your personal responsibility to use common sense when storing and securing your firearm and ammunition and to always make sure that it is not accessible to children or other unauthorized persons.
- **FOLLOW THE LAW!!** You must be familiar with all local, state, and federal laws regarding the safe storage and transportation of your firearm. Failure to know and follow the law may result in unauthorized access or use of your firearm by another. Obey all laws relating to the storage and transportation of firearms.
- **NEVER TRANSPORT A LOADED FIREARM.** When transporting your firearm, be sure it is unloaded and that the cylinder or action is open.

## **SAFE STORAGE & TRANSPORTATION CONT'D.**

- Your local police department or gunshop will furnish you with available information on storing and/or transporting a firearm legally.
- **YOUR FIREARM IS YOUR RESPONSIBILITY.** Protect your firearm from theft or misuse by untrained or unqualified individuals.

### **MAINTENANCE BEFORE STORAGE**

When storing, do not encase your firearm in anything that will attract or hold moisture, for example, leather or heavy cloth. Also, do not store guns with a plug inserted in the barrel for this can be a contributing factor to moisture accumulation. If your firearm is to be stored for an extended period, the bore, chambers and internal working mechanism should be oiled with acid-free lubricating oil or preservative, and the external working mechanisms, frame, cylinder and barrel should be coated with an anti-rust oil. Before using your firearm again, be sure to clean it. Every time you clean your firearm, check it for signs of wear. If wear is noted, do not use the firearm. Return it to Smith & Wesson for service or have it checked by a qualified gunsmith.

### **MAINTENANCE BEFORE USE**

Before using your firearm, it should be cleaned. (See Cleaning Instructions) Your firearm has been treated with either a preservative or oil to protect it against corrosion. Before using it, all excess oil should be wiped from the bore, chambers (charge holes), and exposed areas using a clean swab or patch. A light coat of high quality gun oil should be applied to the outside surfaces and mechanism. Care should be taken not to oil the mechanism to the degree that dust and lint may be trapped by the oil.

---

# **NOMENCLATURE**

---

**Smith & Wesson handguns are reliable and safe to use when the basic firearm safety rules are followed. There are a number of internal safety mechanisms within the lockwork of the handgun which ensure that the firearm will not discharge unless the trigger of the handgun is pulled. That is one reason why it is important to never modify or alter your firearm. Before you use your handgun, you should be fully familiar with its operation.**

**Here is a list of basic firearms terminology.**

**AMMUNITION - CENTERFIRE** - Ammunition which contains the primer in the center of the base of the case. Among the most common centerfire handgun cartridges are the .32, .38 Special, .380, 9mm, .357 Magnum®, .40 S&W®, .45 ACP and the .44 Magnum®.

**AMMUNITION - RIMFIRE** - Ammunition which contains the primer material in the rim. Among the most common rimfire handgun cartridges are the .22 Long, .22 Short, .22 LR, .22CB, .22BB, and .22 Magnum.

**CALIBER** - The diameter of a bullet, designated in hundredths or thousandths of an inch (.357) or in millimeters (9mm).

**DECOCK** - The process by which the hammer or striker is safely lowered.



## **NOMENCLATURE CONT'D.**

**DOUBLE ACTION** - A firing action where the hammer or striker is drawn back, released, and the gun fired by a single pull of the trigger.

**DOUBLE ACTION ONLY** - A firearm designed so that it can only be fired in double action.

**PISTOL** - A handgun that contains the cartridges in a magazine.

**REVOLVER** - A handgun that contains the cartridges in a cylinder that revolves at the rear of the barrel.

**SINGLE ACTION** - A firing action where the hammer or striker is released from the cocked position by pulling the trigger.

The operation of your handgun will be explained in greater detail in the pages that follow, as well as a greater description of key component parts.

---

# **PREPARATION FOR FIRING**

---



**ALWAYS WEAR EYE AND EAR PROTECTION WHICH IS SPECIFIED FOR FIREARM USE.**

- Failure to wear adequate and proper ear protection on even one occasion can permanently damage your hearing. Make sure others who are nearby are wearing ear protection as well.
- Always wear safety glasses, whether indoors or out. Safety glasses protect your eyes from the firing flash and particles associated with the discharge of ammunition.
- **DO NOT SHOOT AT HARD SURFACES, WATER OR UP INTO THE SKY.** Always select a place to shoot that has a safe backstop, is free from obstructions and water surfaces which cause ricochets.
- **Always be** aware of other people so that persons cannot accidentally walk into the line of fire.
- Position the shooter and all others so that they are not within an area where they may be struck by particle-spitting from a revolver or by ejected cases from other types of firearms.
- Keep fingers and other parts of your body away from the muzzle and away from the gap between the revolver barrel and cylinder, and away from the pistol slide and ejection port.
- Be alert and always follow the safety instruction of the range officer.

### **PREPARATION FOR FIRING CONT'D.**

- Be sure that all cylinders and actions of firearms are open, that chambers are clear of cartridges, magazines are removed, and that firearms are pointing in a safe direction before anyone is allowed in front of the firing position.
- Be alert at all times. Never shoot if you are tired, cold or impaired in any way.
- Treat your firearm as if it were loaded at all times.

---

## **AMMUNITION**

---

### **A. GENERAL PRINCIPLES**

- A firearm and ammunition are a system and must work together. Their performance is closely related. There are different types of ammunition for different types of firearms. Your firearm has been designed for ammunition of a specific type and a specific caliber. It is important to select the proper ammunition for your firearm.



- **Never use ammunition not specifically designated for use in your firearm. Failure to use the correct type or caliber of ammunition may cause the firearm to jam, fail to fire or even generate excessive pressure which can damage or even rupture your firearm, causing personal injury or property damage.**
- You are responsible for selecting ammunition that meets industry standards and is appropriate in type and caliber for this firearm.
- Locate the caliber designation printed on the handgun. This information indicates the ammunition caliber that should be used in this firearm. (See figure #1)

### **B. HANDLOADED OR RELOADED AMMUNITION**



- **Never use non-standard, reloaded or “handloaded” ammunition which has not been subjected to internal ballistic pressure testing.** Reloaded or handloaded ammunition, may have many manufacturing and quality variables (such as the type and amount of gun powder).
- **Any ammunition that is improperly manufactured, even in the slightest degree, may fail to fire or may generate excessive internal pressures which can damage or even rupture the firearm, causing personal injury to the shooter or those in the immediate vicinity.**



FIGURE 1

## **AMMUNITION CONT'D.**

- Use only commercially manufactured ammunition with internal ballistic pressures which are in strict accordance with the specifications of the Sporting Arms and Ammunition Manufacturers' Institute (SAAMI).
- Be certain all ammunition you use complies with the SAAMI specifications. If you are uncertain, contact your ammunition supplier for verification.

### **C. MISFIRES**

- If your firearm fails to fire when the trigger is pulled (misfires), keep the firearm pointed in a safe direction, remove your finger from the trigger, and wait 10 seconds. Only after you have completed all of the above steps, remove the magazine or open the cylinder and remove the cartridge from the chamber and dispose of it properly. Keep your firearm pointed in a safe direction at all times.
- If you have heard an unusual sound or felt an unusual recoil on firing, stop firing, wait 10 seconds, unload the firearm, and examine the barrel bore for obstructions.
- Make sure your barrel is clear and free of obstructions. If you see an obstruction, return your firearm to Smith & Wesson or take it to a qualified gunsmith. Never fire a firearm with an obstructed barrel.

### **D. AMMUNITION SPECIFICS**

- Use only ammunition specifically recommended by Smith & Wesson for your firearm.
- Never mix ammunition.
- Never use a cartridge not specifically designated for use in your firearm. Pressure from the wrong type of ammunition may be beyond the capability of your firearm to withstand and may damage or even rupture your firearm.
- Whenever rimless pistol cartridges are used in the cylinder of a Smith & Wesson revolver, (except M547) full or half-moon clips MUST be used to both position and extract such cartridges. Failure to use ammunition clips with rimless cartridges may result in malfunction of the revolver.
- Additional ammunition calibers can be fired from the following list of select calibers.

<u>Caliber on Barrel</u>	<u>Can also Fire</u>
.45 Colt	.45 Schofield, .45 S&W
.45 S&W	.45 Schofield
.44 Magnum	.44 Special
.357 Magnum	.38 Special, .38 Special +P
.22LR	.22L, .22 Short, .22CB, .22BB (in revolvers only)
10mm	.40 S&W (in revolvers only)

- In some cases, a round of ammunition not specified on your handgun may fit into the chamber or cylinder. Firing ammunition not specified on your handgun may cause it to rupture and cause serious injury or death.

## **AMMUNITION CONT'D.**

### **E. AMMUNITION WARNINGS**

- “Plus-P” (+P) ammunition generates pressures in excess of the pressures associated with standard ammunition. Such pressures may affect the wear characteristics or exceed the margin of safety built into some revolvers and could therefore be DANGEROUS.
- “Plus-P” ammunition should not be used in medium (K frame) revolvers manufactured prior to 1958. Such pre-1958 medium (K-frame) revolvers can be identified by the absence of a model number stamped inside the yoke cut of the frame. (i.e., the area of the frame exposed when the cylinder is in the open position, see Figure 2).
- “Plus-P-Plus (+P+)” marking on the ammunition merely designates that it exceeds established industry standards, but the designation does not represent defined pressure limits and therefore such ammunition may vary significantly as to the pressures generated.
- “Plus-P-Plus (+P+)” ammunition is not recommended for use in Smith & Wesson firearms.
- In the Model 940 revolver, some brands of 9mm parabellum ammunition may cause difficulty in extracting spent cartridge cases from the cylinder. If this situation occurs, thoroughly clean the cylinder charge holes with solvent. If this condition persists, we recommend changing to another brand of 9mm parabellum ammunition.
- Smith & Wesson has found wide variations in primer sensitivity between some brands and types of .22LR ammunition. Smith & Wesson recommends that before you put your .22LR handgun into regular use, that you fire several boxes of your choice of ammunition through it to determine reliability of ignition. If “failure to fire” occurs, try different types of brands of .22LR ammunition until a reliable loading is found.

---

## **AMMUNITION WARNING**

### **FOR Ti, Sc, PD Series**

## **REVOLVERS**

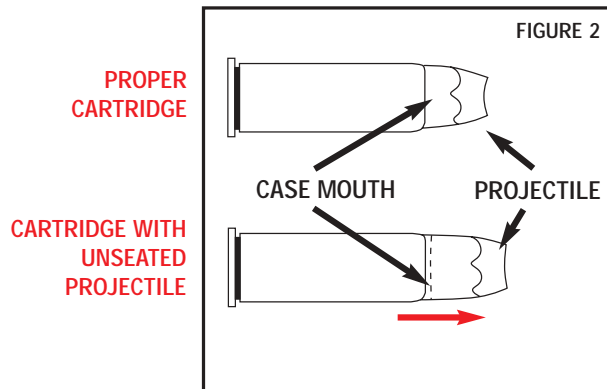
---



Before placing any of these reduced weight revolvers into service, perform the following test to determine the suitability of the ammunition you intend to use.

At a gun range or other suitable and safe location, prepare your revolver for firing by fully loading its cylinder with the ammunition to be tested. While pointing the firearm in a safe direction, fire all but the last round. Remove the empty casings and the last loaded round from the revolver's cylinder.

Carefully inspect the loaded round to determine if its bullet has started to unseat (move forward) from its casing.(Figure 2) If it has, you should not use the tested ammunition in your revolver. Choose another projectile weight or brand of ammunition and repeat this test until you find one that **DOES NOT UNSEAT** under these test conditions. When you are finished, fully unload your revolver and secure it safely.



**AMMUNITION WARNING**  
**ALL SCANDIUM REVOLVERS FIRING**  
**MAGNUM AMMUNITION**  
(Example: All model 340's, 360's, 386's)

To reduce the possibility of premature cylinder erosion, do NOT use Magnum® loadings with bullet weights less than 120 gr.

# MODEL NUMBER IDENTIFICATION

The internal serial number and the model and dash numbers appear inside the yoke (figure 3) when the cylinder is in the open position. The external serial number appears below the cylinder. (Figure 4)

FIGURE 3

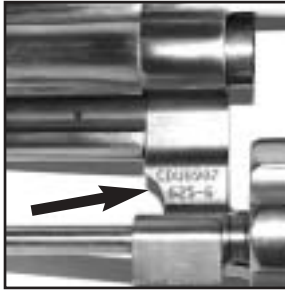


FIGURE 4

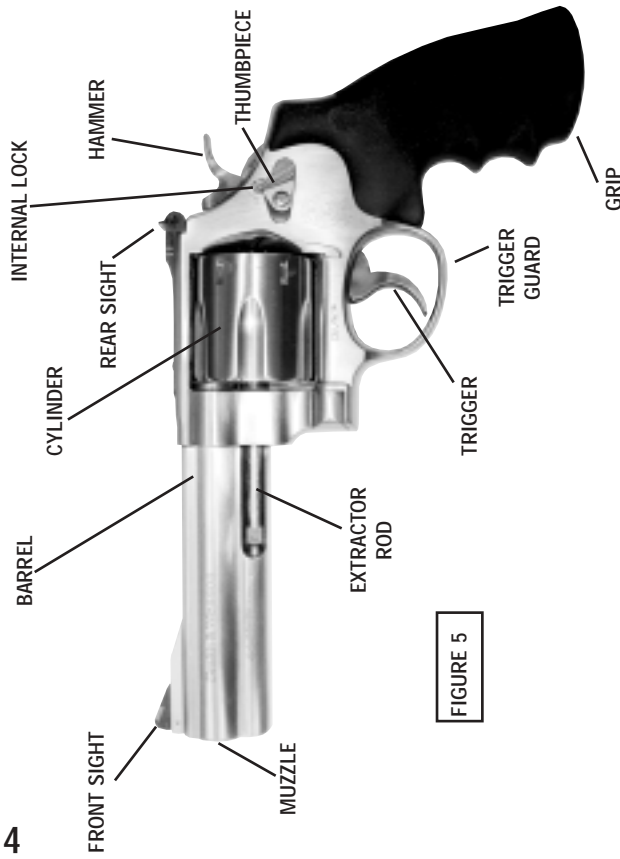


FIGURE 5

---

# **INSPECTING YOUR REVOLVER**

---

When you inspect your revolver, you must first check to ensure that it is unloaded. Do this with your finger off the trigger and out of the trigger guard (Figure 6) and keep the barrel of the gun pointed in a safe direction. Press the thumbpiece forward and push the cylinder to the left (Figure 7).

You are now able to visually check all charge holes for cartridges and the barrel for obstructions.

You must follow this procedure every time your revolver is handled, inspected, handed to another person, transported or stored.

FIGURE 6



FIGURE 7



---

# **INTERNAL LOCK MECHANISM**

**An internal lock mechanism will be added to revolvers during 2001.**



**Never underestimate the possibility for an unauthorized user to find your key or otherwise defeat this internal lock.**



**You must continuously examine your personal situation to make sure the internal lock provides a sufficient level of security to keep unauthorized users from firing the revolver.**

## **FEATURES**

This feature prevents hammer and trigger motion when activated. On revolvers with internal lock mechanisms, markings on the left side of the frame, adjacent to the lock, indicate the locking status. In addition, revolvers with fully exposed hammers display a flag marked "LOCKED" when the revolver is locked. This lock requires an external key to engage and to disengage. The lock is located adjacent to and slightly over the thumb piece. (Figure 8)



## **INTERNAL LOCK MECHANISM CONT'D.**

### **TO ENGAGE THE LOCK**

**! WARNING: Never lock the revolver while it is loaded.  
Never lock the firearm with the hammer cocked.**

Open the cylinder and ensure the revolver is completely unloaded. Hold the revolver with the cylinder open in one hand. Insert the key and turn it counter-clockwise using the other hand. The key will turn approximately 90°. The locked indicator flag will become visible on revolvers with exposed hammers. A definite stop and detent will be felt when the key is turned to either the locked or the unlocked position. (Figure 9)

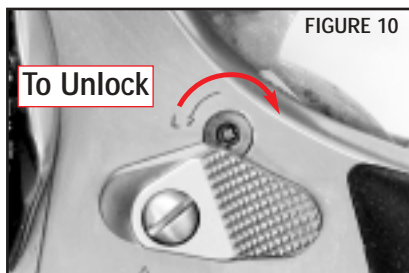


**! WARNING: NEVER ATTEMPT TO DETERMINE  
WHETHER A REVOLVER IS LOCKED OR UNLOCKED  
BY PULLING THE TRIGGER.**

### **TO DISENGAGE THE LOCK**

**! WARNING: Always open the cylinder and verify the  
revolver is unloaded and each charge hole is empty  
before unlocking the revolver.**

With the cylinder open, hold the revolver in one hand. Insert the key and turn it approximately 90° in a clockwise direction using the other hand until the flag returns to its hidden, unlocked position on revolvers with exposed hammers. A definite stop and detent will be felt when the key is turned to either the locked or the unlocked position. (Figure 10)





**INTERNAL LOCK MECHANISM CONT'D.**



TO SAFELY RECOVER FROM A SITUATION WHERE THE REVOLVER HAS BEEN INCORRECTLY LOCKED WITH THE HAMMER FULLY COCKED, THE FOLLOWING STEPS MUST BE FOLLOWED. THROUGHOUT THIS PROCEDURE, THE REVOLVER MUST BE TREATED AS IF IT WERE LOADED.

1. WITH YOUR FINGER OFF THE TRIGGER AND OUT OF THE TRIGGER GUARD, PLACE THE THUMB OF YOUR SHOOTING HAND ON THE HAMMER AND PULL FULLY REARWARD TO ENSURE THE HAMMER IS IN THE FULLY COCKED POSITION.
2. WITH YOUR FINGER STILL OFF THE TRIGGER AND OUT OF THE TRIGGER GUARD AND THE REVOLVER POINTED IN A SAFE DIRECTION, UNLOCK THE LOCK USING THE KEY PROVIDED.
3. FOLLOW THE DECOCKING PROCEDURE AS EXPLAINED ON PAGES 19-20 TO DECOCK THE REVOLVER. ASSUME THE REVOLVER IS LOADED WHILE FOLLOWING THIS PROCEDURE.
4. OPEN THE CYLINDER AND VERIFY THE REVOLVER IS UNLOADED.

The position of the cylinder has no relationship to the locked status of the revolver.

When the revolver is properly locked, the cylinder may be opened or closed.



The internal lock feature does not remove your responsibility for the proper securing and storage of your handgun.



The revolver and ammunition must not be available to unauthorized users.



Never provide the key or reveal the location of the key to anyone you do not intend to use this handgun.

---

## LOADING

---

- Do not load your revolver until you have read and understand the Basic Firearms Safety Rules.
- Do not load your revolver until you are at the shooting site and fully prepared to fire.
- If your internal lock is engaged, unlock before proceeding.
- To load your revolver, hold it in one hand with the muzzle pointed in a safe direction and away from you and others while keeping your finger off the trigger and out of the trigger guard. Press the thumbpiece forward to unlock the cylinder. Push the cylinder to the left and place a round of the correct ammunition in each charge hole. Grasp the revolver in the shooting hand with your finger still outside the trigger guard (Figure 11), push the cylinder back into the frame until it locks into place.

Your revolver is now fully loaded and ready to be fired. The hammer is in the “at rest” position as shown in Figure 3, Page 14.



**!! WARNING !!**



**Always inspect your revolver visually to be sure the hammer and trigger are in the at rest or forward position before holstering or carrying it. Never holster, carry or store your revolver with the hammer cocked. Remember to keep your revolver pointed in a safe direction. Never leave a loaded firearm unattended.**

FIGURE 11



---

## FIRING

---



**WARNING:** During firing always keep the barrel pointed in a safe direction. Always keep your fingers away from the area between the cylinder and the barrel during firing.

There are two ways to fire your Smith & Wesson revolver. The first is in the double action mode, wherein the shooter fully pulls and holds the trigger to the rear, causing the hammer to fully cycle rearward and then release.

The second way to fire a revolver is in the single action mode, in which the hammer is first cocked and the trigger is then pulled and held to the rear (Figure 12).

FIGURE 12



## **FIRING CONT'D.**

A lesser amount of trigger pressure and motion are necessary to fire the revolver when the hammer is in the cocked position. As in any firing situation, continue to exercise great care in handling a revolver which has been placed in the single action or cocked mode.

### **Double Action Firing\***

While holding the grips firmly, pull the trigger fully to the rear. The hammer will move rearward and then fall forward to fire the revolver. Never touch the trigger until you are ready to fire. After firing, you must allow the trigger to move forward fully before you can fire another shot. Failure to do so will prevent the lockwork from fully cycling and will prevent your being able to fire the next shot. Keep your finger off the trigger and outside the trigger guard until you are ready to fire again. Do not touch or otherwise interfere with the travel of the hammer during double action firing.

\* This is the only mode of operation possible on Smith & Wesson Centennial models (with enclosed non-visible hammer) such as models 296, 332, 340, 342, 442, 640, 642 and 940.

### **Single Action Firing**

With your fingers outside of the trigger guard and a firm hold on the grips, place the thumb of your non-shooting hand on the hammer spur. Pull the hammer fully rearward until it is cocked as shown in Figure 12. The action of pulling the hammer to the rear until it is cocked will also cause the trigger to move rearward. The revolver will now fire in the single action mode, requiring significantly less trigger pressure than in the double action mode.

Never touch the trigger until you are ready to fire. To fire, pull the trigger and hold it rearward. After firing, you must allow the trigger to move fully forward before you can fire another shot. Failure to do so will prevent the lockwork from fully cycling and will prevent your being able to fire the next shot. Keep your finger off the trigger and outside the trigger guard until you are ready to fire again.



**WARNING: Always keep the barrel pointed in a safe direction!**



**WARNING: Only place the revolver in the single action mode when you are fully prepared to fire.**

### **Decocking (or uncocking):**

If you decide not to fire in single action from a cocked position, continue to point the firearm in a safe direction. Decock the revolver as follows:

- (1) Place the thumb of your free hand between the hammer and the frame of the handgun to prevent the hammer from moving fully forward until your finger is off the trigger and out of the trigger guard. (Fig. 13)
- (2) Place the thumb of your firing hand on the hammer spur. You must always control the hammer with your thumbs when decocking the handgun. If the hammer slips while the trigger is held to the rear and you have failed to block the hammer travel, your handgun will fire. (Figure 13)

### **FIRING CONT'D.**

- (3) Apply pressure to the trigger to release the hammer as shown in Figure 14. Immediately after the hammer has come out of cocked position, release the trigger and withdraw your finger from the trigger guard.

**WARNING:** Failure to remove your finger from the trigger guard as soon as the hammer releases could cause the revolver to fire if your thumb slips off of the hammer spur.

- (4) Carefully ease the hammer forward while removing your other thumb from between the hammer and frame (Figure 15) until the hammer is in the "at rest" position (Figure 16).
- (5) Practice this procedure with your unloaded revolver until you have mastered decocking. Always be aware of the hammer position. Never holster, carry or store a cocked revolver. Be sure the hammer is in the "at rest" position as shown in Figure 16 after decocking.

#### **Caution: Incomplete Decocking**

Failure to release the trigger and to withdraw your finger from the trigger guard immediately after the hammer has come out of the cocked position may result in the interruption of the forward movement of the hammer between the cocked position and the "at rest" position. In this case, the hammer will appear to have stopped between the full cock and "at rest" positions. If this occurs, keep your finger off the trigger and out of the trigger guard while returning the hammer with your thumb to the fully cocked position. Then properly decock the hammer to the "at rest" position following the decocking procedures outlined on page 19.



---

## **CLEARING MISFIRES**

---

If during firing, a cartridge fails to fire, wait ten seconds while keeping the muzzle pointed in a safe direction. Keep your finger off of the trigger and out of the trigger guard. Press and hold the thumbpiece forward and swing the cylinder to the left. Remove the defective cartridge and dispose of it in a method specifically approved for live round disposal.

---

## **UNLOADING**

---

- Always keep the firearm pointed in a safe direction away from you and others.
- To remove either live cartridges or spent casings from the cylinder, first point the barrel in a safe direction. Press the thumbpiece forward and swing and hold the cylinder fully to the left.
- With the barrel pointing upward in a safe direction, press the extractor rod through the cylinder and remove all cartridges or casings from the cylinder. (Figure 17)
- Carefully count the cartridges or spent casings to be sure that you have recovered all of them.
- Make a visual check to be sure all charge holes (chambers) are empty. When unloading your revolver, always be sure to keep it pointed in a safe direction. Remember, a safe direction means that you are not pointing the barrel of your handgun at yourself or any other person.
- Safely secure and store ammunition separately from firearm after unloading.
- Be sure to safely secure the firearm when you are done using it.



---

## **SIGHT ADJUSTMENT**

---



**Ensure your firearm is unloaded before adjusting your sights. At all times follow the basic rules of safe gun handling.**

To make a sight adjustment with adjustable rear sight

- To raise the point of impact, raise the rear sight by turning the elevation screw counterclockwise one or two clicks at a time.
- To lower the point of impact, lower the rear sight by turning the elevation screw clockwise one or two clicks at a time.
- Move the point of impact to the right by turning the windage screw clockwise one or two clicks at a time.
- Move the point of impact to the left by turning the windage screw counterclockwise one or two clicks at a time.

---

## **PRODUCT WARNING**

---

**For all Smith & Wesson Handguns Capable of Double Action Firing**

- It has come to our attention that some users of Smith & Wesson handguns capable of firing in double-action mode may stage the trigger in anticipation of firing a shot in the double-action mode. Staging is the act of pulling the trigger rearward toward — stopping just short of — the point where the hammer falls and the handgun fires. Such manipulation of the trigger can reduce the user's control of the handgun and can result in an unintentional discharge. Furthermore if the user decides not to fire, release of the trigger from a position close to the firing point in the staging process could result in an unintended discharge.
- Obviously "staging" the trigger violates a basic rule of firearm safety which warns you to keep your finger off the trigger and outside the trigger guard until ready to fire.
- We warn all users of our handguns capable of firing in double-action to refrain from "staging" the trigger.

---

# **CLEANING AND MAINTENANCE**

---



**Ensure your firearm is unloaded before beginning to clean it. At all times follow the basic rules of safe gun handling.**

Your firearm is a precision instrument. To insure reliable function it is necessary to follow a routine maintenance procedure. After firing your handgun, be sure to unload it following the procedure outlined in the section entitled "Unloading" on page 21 before performing any cleaning or maintenance procedure. Your handgun should be cleaned by brushing the barrel bore and chamber (charge holes) with a good powder-removing solvent and bore brush. Wipe the areas clean with patches or a swab. Using a small brush dipped in solvent, remove all deposits from around the breech of the barrel, chamber (charge holes), extractor and adjacent areas which have been subjected to the action of powder or primer residue. Remove any residue on the frame with light brushing and a solvent. After cleaning the entire gun, use a cloth to apply a light film of high quality gun oil to all external metal surfaces and wipe clean.

**CAUTION:**

You must follow the instructions provided with your gun cleaner and gun lubricant. Some cleaners can cause damage to your handguns.

**CAUTION:**

You should avoid prolonged solvent immersion and prolonged ultrasonic cleaning of your firearm. Choice of solvent should be restricted to those products specifically developed for firearms maintenance. Instances of damage to a firearm's finish have been recorded when these cautions have been ignored. Ammoniated solvents or other strong alkaline solvents, should not be used on any Smith & Wesson firearm. As a rule of thumb, if you would be comfortable applying the solvent of your choice to the finish of your automobile, it will probably be safe for use on your firearm.

After the initial cleaning, there is usually some residue in both the barrel and cylinder that works out and becomes apparent within 24-48 hours. This can be removed with a bristle brush and a light re-application of powder removing solvent after which the oil film should be re-established on all surfaces.

Cleaning is considered essential in order to ensure the proper functioning of your handgun.

For additional maintenance, we recommend the services of a qualified gunsmith. Please refer to the section entitled "Service". If your firearm will be used or stored in a cold climate, be sure to use an oil that will not thicken at low temperatures.

---

# **SERVICE, SHIPPING & PARTS**

For Owners Within The United States

---

## **SERVICE**

Customer Service 2100 Roosevelt Avenue Springfield, MA 01104 Tel: 800-331-0852 • 413-781-8300 E-mail: qa@smith-wesson.com
---

Should your Smith & Wesson firearm require service, it should be returned to Smith & Wesson in its original case or in a similarly secure container. It is not necessary to take the gun to a dealer for shipment. However, before shipping your firearm, call or e-mail our Customer Service Dept. for authorization and shipping instructions.

Before shipping your handgun, ensure that the firearm is unloaded, package it securely, and do **NOT** ship any ammunition. The package must **NOT** bear any markings which indicate the identity of the contents. Enclose a letter which includes your full name and address (no P.O. Boxes, please), daytime telephone number, e-mail address, the serial number of the firearm, and details of the problem experienced or work desired. Record the serial number before shipping, in case you wish to check on the repair status of your firearm.

## **SHIPPING**

When shipping a firearm, it is most important that you comply with federal, state, and local laws and regulations. The following guidelines are meant to help, but you must seek assistance from the appropriate authorities if necessary.

- Check magazines and chambers to ensure that they are unloaded. Do not ship ammunition.
- Do not attempt to *MAIL* a handgun; only federally licensed dealers may mail a firearm.
- If your firearm must be replaced, it may be necessary to ship the replacement to a dealer rather than directly to you. You will be requested to furnish a signed FFL (Federal Firearms License) from your dealer in such an instance.
- When returning a pistol, please include all magazines ensuring they are unloaded; they are important to the proper function of the handgun.

Ship Centerfire pistols and ALL revolvers to:

Customer Service, 2100 Roosevelt Avenue, Springfield, MA 01104

Ship ALL .22 caliber pistols to:

Customer Service, 19 Aviation Drive, Houlton, ME 04730

**Please call the above telephone number or e-mail the above address before shipping!!**



### ***SERVICE, SHIPPING, & PARTS CONT'D.***

Since we cannot assume responsibility for custom parts and accessories, such as stocks, special sights, or holsters, please remove these items before returning your firearm.

Warranty repair work will begin upon receipt and examination of the firearm. In the case of repairs or work not covered by the warranty, a quotation covering the cost of the work plus round trip transportation charges will be sent to you. Repairs or modification will begin upon receipt of payment.

### **ACCESSORIES & PARTS**

Replacement parts and accessories for your Smith & Wesson firearm are available from your local Smith & Wesson Stocking Dealer, or directly from the Smith & Wesson Parts Department.

When ordering parts directly from the factory, please provide the following information:

- Model Number
- Dash Number
- Serial Number
- Approximate date of purchase
- Part view Number (refer to diagram)
- Complete Return Address
- VISA/Discover/MasterCard Number and Expiration Date
- For Foreign Orders Only, Fax Number or E-mail Address

---

# **WARRANTY**

For Owners Within The United States

---

This warranty is granted by Smith & Wesson, 2100 Roosevelt Avenue, P.O. Box 2208, Springfield, MA 01102-2208.

This warranty is effective from the date of purchase after February 1, 1989 and applies to the original owner of any handgun purchased after that date. With respect to such handguns, this warranty supersedes any and all other warranties.

Smith & Wesson handguns are warranted to be free from defects in material and workmanship. Any such defects of which Smith & Wesson receives written notice within one year from the date of purchase by the original owner, will be remedied by Smith & Wesson without charge within a reasonable time after such notification and delivery of the handgun as provided below. If any unsafe and/or illegal condition is found during warranty inspection, Smith & Wesson will return the handgun to its original specification.

Warranty claims (in writing) and the handgun concerned should be delivered to Smith & Wesson's Customer Service Department at the above address. In addition, a copy of the bill of sale in the owner's name, or a copy of ATF Form 4473 indicating date of purchase must be included.

Warranty claims should state the model and serial number of the handgun concerned and the description of the difficulty experienced. It is recommended that shipments be insured by the owner, since Smith & Wesson will accept no responsibility for loss or damage in transit. Transportation and insurance charges for return to owner will be paid by Smith & Wesson if the claim is covered by the warranty.

**UNDER NO CIRCUMSTANCES SHALL SMITH & WESSON BE RESPONSIBLE FOR INCIDENTAL OR CONSEQUENTIAL DAMAGES WITH RESPECT TO ECONOMIC LOSS, INJURY OR PROPERTY DAMAGE, WHETHER AS A RESULT OF BREACH OF EXPRESS OR IMPLIED WARRANTY, NEGLIGENCE OR OTHERWISE.**

Some states do not allow the exclusion or limitation of incidental or consequential damages, so the above limitation or exclusion may not apply to you in whole or in part.

Smith & Wesson will not be responsible for defects resulting from careless handling, unauthorized adjustments or modifications, defective or improper ammunition, corrosion, neglect, abuse, ordinary wear and tear, or unreasonable use.

Smith & Wesson reserves the right to determine what constitutes ordinary wear and tear. However, we can rebuild handguns that have experienced extreme usage or are beyond their normal useful life at a fee that will be quoted to the owner.

This warranty gives you specific legal rights. You may also have other rights that vary from state to state.

---

# **EXTENDED SERVICE POLICY**

For Owners Within The United States

---

Even after the warranty period has expired, Smith & Wesson will repair, without charge, any handgun purchased by the original owner on or after February 1, 1989 that is found to have defect in material or workmanship. Eligibility for this extended service policy requires returning the Product Registration Card within thirty days of purchase. A copy of the bill of sale in the owner's name and the sales receipt should accompany the handgun.

If any unsafe and/or illegal condition is found during warranty inspection, Smith & Wesson will return the handgun to its original specification.

This policy covers functional defects; it does not include the handgun's finish, grips, magazines or sights.

This policy is in addition to and not an extension of the Smith & Wesson Warranty.

## **Lifetime Service Policy**

### **Fast Reliable Service**

If you have any questions or concerns regarding your Smith & Wesson product, please give us a call. Our customer service representatives are product knowledgeable and are here to help you.

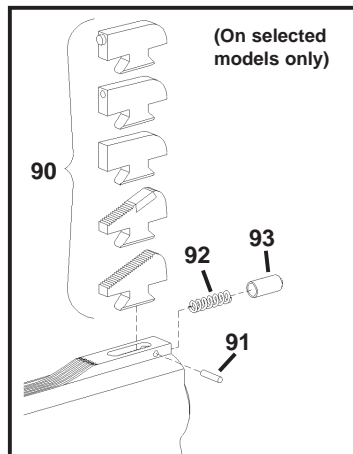
### **911 Priority Repair Service**

In the event of an emergency (repairs needed by law enforcement, an upcoming match or hunting trip), call 1-800-331-0852 and ask for 911 Priority Repair Service. This allows you to speak with a Smith & Wesson representative. Immediately upon receipt, your handgun will be assigned to a gunsmith. After the work is completed, we will return your Smith & Wesson handgun via overnight delivery.

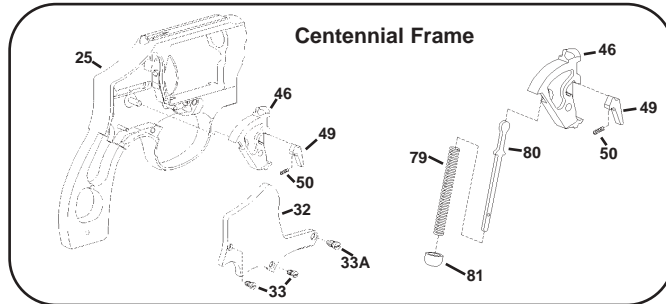
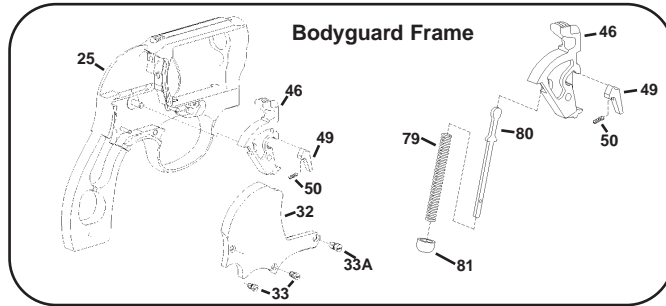
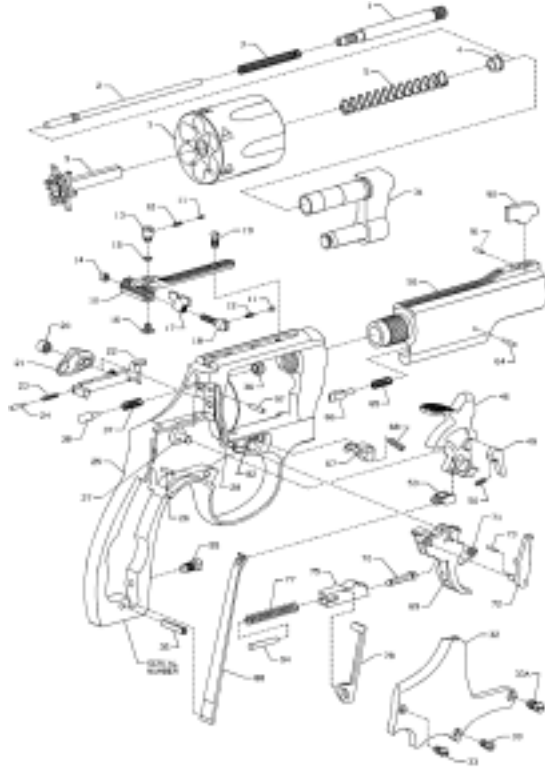
# COMPONENT PARTS

View	Description		Description
01	Extractor Rod	38	Firing Pin
02	Center Pin	39	Firing Pin Bushing Pin
03	Center Pin Spring	45	Grip (left & right grip halves on some models)
04	Extractor Rod Collar	46	Hammer
05	Extractor Spring	49	Sear
07	Cylinder	50	Sear Spring
09	Extractor	53	Stirrup
10	Rear Sight Leaf	55	Strain Screw
11	Rear Sight Leaf Plunger	56	Barrel
12	Rear Sight Leaf Plunger Spring	64	Locking Bolt Pin
13	Rear Sight Elevation Nut	65	Locking Bolt Spring
14	Rear Sight Windage Nut	66	Locking Bolt
15	Rear Sight Spring Clip	67	Cylinder Stop
16	Rear Sight Elevation Stud	68	Cylinder Stop Spring
17	Rear Sight Slide	69	Trigger
18	Rear Sight Windage Screw	70	Trigger Lever
19	Rear Sight Leaf Screw	71	Hand Torsion Spring
20	Thumbpiece Nut	72	Hand
21	Thumbpiece	75	Rebound Slide
22	Bolt	77	Rebound Slide Spring
23	Bolt Plunger Spring	78	Hammer Block
24	Bolt Plunger	79	Mainspring (J Frame)
25	Frame	80	Mainspring Stirrup
26	Rebound Slide Stud	81	Mainspring Swivel
27	Hammer Stud	82	Cylinder Stop Stud
28	Trigger Stud	88	Mainspring
31	Yoke	90	Interchangeable Front Sight Blade Set
32	Sideplate	91	Front Sight Plunger Pin
33	Plate Screw, Crowned	92	Front Sight Plunger Spring
33A	Yoke Screw	93	Front Sight Plunger
35	Grip Pin	94	Trigger Stop Pin
36	Firing Pin Bushing	97	Firing Pin Retaining Pin
37	Firing Pin Spring		

## Interchangeable Front Sight Assembly



**COMPONENT PARTS CONT'D.**



---

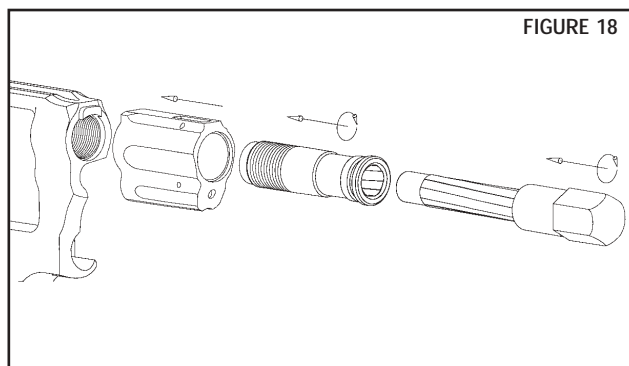
## **GUNSMITH WARNING**

---

**CAUTION:**

***TITANIUM & SCANDIUM REVOLVERS***

NO attempt should ever be made to remove the hybrid Aluminum/Stainless Steel Barrel Assembly with a standard barrel wrench. To do so will destroy the barrel shroud and possible the frame of your revolver. As the accompanying drawing (Figure18) shows, the barrel shroud is keyed into the frame by a metal tab. The stainless steel barrel tube must only be removed by a qualified gunsmith using a special tool available from Smith & Wesson. The barrel assembly is re-installed using the same tool and torqued to 20ft. lb. using an accurate torque wrench.



**CAUTION:**

***TITANIUM & SCANDIUM REVOLVERS***

The titanium cylinder used in your AirLite Ti and AirLite Sc revolvers weighs approximately 60% of what a similar stainless steel cylinder weighs and yet is able to withstand the same operating pressures. Care and cleaning of the revolver's titanium cylinder consists of normal gun cleaning procedures using high quality gun oil and cleaning solvents when necessary. However, under NO circumstances should the cylinder's chambers (charge holes) or front face be cleaned with an abrasive material such as sand paper, Scotch Brite™, Crocus Cloth, etc. To do so will disrupt it's protective surface layer and greatly reduce the cylinder's service life because of excessive erosion that will take place while firing and will void your revolver's warranty.

This handgun is not equipped with a device that fully blocks use by unauthorized users. More than 200,000 firearms like this one are stolen from their owners every year in the United States. In addition, there are more than a thousand suicides each year by younger children and teenagers who get access to firearms. Hundreds more die from accidental discharge. It is likely that many more children sustain serious wounds or inflict such wounds accidentally on others. In order to limit the chance of such misuse, it is imperative that you keep this weapon locked in a secure place and take other steps necessary to limit the possibility of theft or accident. Failure to take reasonable preventative steps may result in innocent lives being lost, and in some circumstances may result in your liability for these deaths.

The certification below is required only for handguns sold in the United States with a barrel length shorter than 3".  
Smith & Wesson Corp. hereby certifies average accuracy test results for all new handguns with a barrel shorter than 3" as follows:

7 yards	14 yards	21 yards
1.7"	3.9"	6.3"

This certification is based on tests conducted by Smith & Wesson Corp. using a fixed handgun, rest and firing ammunition manufactured by a member of the Shooting Arms and Ammunition Manufacturers Institute (SAAMI) as defined in ANSI/SAAMI Z299.3-1993.

This certification represents actual tests based on several handguns, selected at random. Your particular handgun may have accuracy better than the results stated in this certification.

Smith & Wesson  
2100 Roosevelt Avenue • Springfield, MA 01104  
[www.smith-wesson.com](http://www.smith-wesson.com)

**REV:REV071001**