



## Model MINIMAX – SUB-COMPACT – CAL. 45

PARTS LIST – INSTRUCTIONS FOR USE – MAINTENANCE



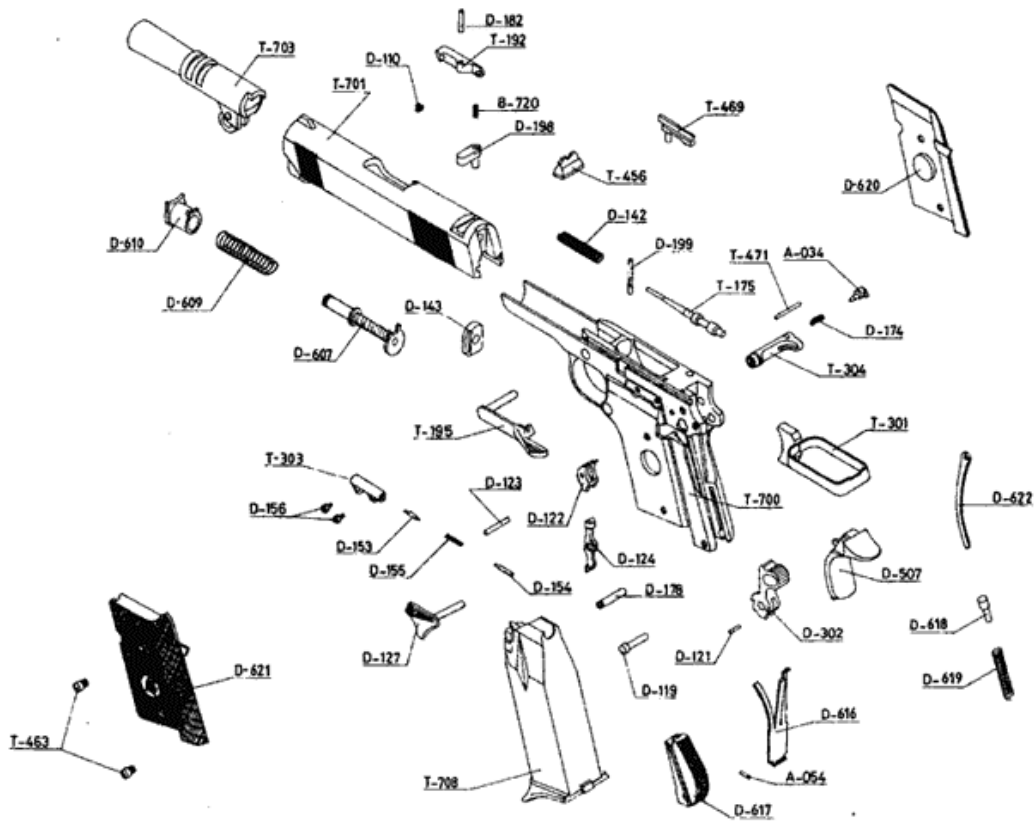
### SPECIFICATIONS

Caliber.....	.45
Number of shots.....	10
Length overall.....	6 1/3 inches.
Weight (unloaded).....	31 oz.
Height.....	4 3/4 inches
Sights.....	Fixed
Stocks.....	Polymer
Finish.....	Blue matte, chrome satin, engraved or gold damascened.
Ammunition.....	.45

---

**FABRINOR – P.O. Box 290- 01080 VITORIA (Spain)**

**IMPORTANT** When ordering list Code Number, Part Name, Caliber, Model and Serial Number.



## PARTS LIST

A 034 Magazine Catch lock	D 199 Firing pin safety disconnecter
A 054 Main spring cap pin	D 302 Hammer
B 720 Firing pin safety spring	D 507 Grip safety
D 110 Extractor spring	D 607 Recoil spring guide
D 119 Hammer pin	D 609 External recoil spring
D 121 Hammer strut pin	D 610 Plug
D 122 Sear	D 616 Sear spring
D 123 Sear pin	D 617 Main spring housing
D 124 Disconnecter	D 618 Main spring cap
D 127 Safety lock	D 620 Grip right
D 142 Firing pin spring	D 621 Grip left
D 143 Firing pin retainer	D 622 Hammer strut
D 152 Plunger Tube	T 175 Firing pin
D 153 Slide stop plunger	T 192 Extractor
D 154 Safety lock plunger	T 709 Slide stop
D 155 Plunger spring	T 301 Trigger
D 156 Plunger screw	T 303 Plunger tube
D 174 Magazine catch spring	T 304 Magazine catch
D 178 Main spring hous pin	D 300 Sight
D 182 Extractor pin	T 463 Grip screw
D 198 Firing pin safety	T 469 Ejector
D 199 Firing pin safety disconnecter	T 471 Ejector pin
D 199 Firing pin safety disconnecter	T 700 Frame
D 302 Hammer	T 701 Slide
D 507 Grip safety	T 703 Barrel
D 607 Recoil spring guide	T 708 Magazine

**FABRINOR – P.O. Box 290- 01080 VITORIA (Spain)**

**IMPORTANT** When ordering list Code Number, Part Name, Caliber, Model and Serial Number.

## DISASSEMBLY OF THE LLAMA MODEL MINIMAX SUBCOMPACT – CAL. .45

The LLAMA pistol is quite easily taken apart. The parts mentioned in the following instructions refer to those described and illustrated in the schematic.

1. Press the **magazine catch** (T 304) with your left thumb and take out the **magazine** (T 708).
2. Pull back the **slide** (T 701) until its slide stop notch is opposite the prolongation or nose of the **slide stop** (T 709). Once in this position, press on the **slide stop** (T 709) pin from the right hand side of the frame until disassembly is complete. For that purpose, it is necessary to overcome the pressure of the **slide stop plunger** (D 153) spring.
3. Move the **slide** (T 701) forward in order to disengage the **barrel** (T703), the **recoil spring guide** (D 607), the **external recoil spring** (D 609), the **spring plug** (D 610) and the **slide** (T 701) from the **frame** (T 700).
4. Holding the head of the **recoil spring guide** (D 607), and pulling it outwards, it can be removed from the **slide** (T 701) together with its **recoil springs** (D 609). Then, remove the **recoil spring plug** (D 610) from its housing in the slide. After that, the **barrel** (T 703) is withdrawn from its housing in the **slide** (T 701) by pulling it forward.
5. The **grips** (D 620) (D 621) are disassembled with a simple screw-driver. Clean the pistol with a brush, using a cleaning agent and grease the parts lightly. Do not proceed with the disassembly.

## ASSEMBLY OF THE LLAMA MODEL MINIMAX SUBCOMPACT – CAL. .45

1. Insert the **barrel** (T 703) in its housing in the **slide** (T 701). Insert the **recoil spring plug** (D 610). Fit the **recoil spring guide** (D 607), **with the springs** (D 609), and introduce this assembly inside its housing in the **recoil spring plug** (D 610). It will be properly fitted when it is housed in the pipe-shaped front part of the **barrel** (T 703).
2. Holding the part assembly mounted on the **slide** (T 701) with one hand, and the **frame** (T 700) with the other hand, assemble these together, sliding them along the frame (T 700) guides until the **barrel** (T 703) attachment hole is placed in front of the hole of the **slide stop** (T 709) housing located in the **frame** (T 700). Insert the pin of the **slide stop** (T 709) into its housing. When placing the **slide** (T 701) in the **frame** (T 700), try to prevent the **firing pin safety disconnect** (D 199) from protruding over the **frame's** (T 700) flat upper surface. To do this, push it downward, attempting not to touch the **grip safety** (D 507) until the **slide** (T701) is mounted.
3. Push the **slide** (T 701) backwards, until the housing for the **slide stop** (T 709) in the **frame** (T 700), is placed in front of the housing with the same reference (T 709) in the **slide** (T 701). Once both references are placed in the suitable position, push the **slide stop** (T 709) with your thumb until it is placed in its housing, overcoming the spring pressure of the **slide stop plunger** (D 153).
4. Check that the slide-barrel sub-assembly slides smoothly on the **frame** (T 700). Insert the **magazine** (T 708) again. The weapon is ready to use.

## **OPERATION OF THE LLAMA MODEL MINIMAX SUBCOMPACT – CAL. .45**

**TO LOAD:** depress the magazine catch, which is located immediately behind the trigger. This will unlock the magazine. To fill the magazine, place the cartridges so that the bullet ends are positioned over the leading edge of the follower. Fill the magazine to capacity. Now take the loaded magazine and slide it back into the lodging frame. When the magazine is pressed firmly into position, you should hear a distinct “click”, which indicates that it is locked in place.

1. Be sure that the muzzle is pointing in a safe direction when loading.
2. Do not load or unload a gun inside a confined space such as a vehicle or a building (other than a well-constructed shooting range), in an enclosed area, there is often no completely safe direction to point a gun, and if accidentally fired, there is a great danger of personal injury or property damage.
3. Clean all oil and grease from the chamber before loading, and be certain that nothing is obstructing the barrel. Obstructions in the barrel can cause the barrel to bulge or burst, or otherwise damage the gun and injure the shooter and bystanders.

**CAUTION:** the weapon is now in a firing attitude with the hammer in the full-cock position. **BE SURE TO ENGAGE THE SIDE SAFETY IF YOU DO NOT INTEND TO SHOOT.**

### **THE TEN COMMANDMENTS OF SAFETY FOR FIREARMS**

1. ALWAYS treat every gun as if it were loaded.
2. ALWAYS be sure the barrel is clear of any obstruction.
3. ALWAYS be sure of your backstop, what lies beyond and the safety of bystanders before you shoot.
4. ALWAYS use clean, dry, original factory-made ammunition of the proper type and caliber for your gun.
5. ALWAYS wear ear protection and shooting glasses when shooting.
6. ALWAYS carry your gun so that you can control the direction of the muzzle if you fail or stumble.
7. ALWAYS leave the safety on until you intend to fire.
8. NEVER leave an unattended gun loaded. Guns and ammunition should be stored separately, locked if possible, beyond the reach of children or careless adults.
9. NEVER allow your firearm to be used by anyone who has not read this Instruction Manual.
10. NEVER point any gun, loaded or unloaded, at anything you do not intend to shoot.

### **EAR & EYE PROTECTION**

Use ear plugs or “ earmuff ” type protectors to guard against permanent, cumulative hearing loss that can result from repeated exposure to shooting noise. Shooting glasses will protect against powder gas, carbon residue, lubricant, metal particles, or other debris that is occasionally emitted from firearms in normal use.

Make sure that anyone near you is also wearing ear and eye protection.

**SAFETY FEATURES:** the LLAMA automatic pistol incorporates several positive safety devices, which, if properly employed, will avoid the danger of accidental firing. These safety devices are described below.

**SLIDE LOCK SAFETY:** The Slide Lock Safety is located on the left of the pistol just below the back of the slide. With the hammer fully cocked and the Slide Lock Safety applied, the upper part of the Slide Lock Safety engages the slide lock notch to prevent rearward movement of the slide, while an internal cam surface engages the sear to prevent forward hammer movement when trigger is squeezed. This safety device can be applied only when the slide is fully forward and the hammer is in the fully cocked position. To apply the Slide Lock Safety, point the pistol in a safe direction, do not touch the trigger, pull the slide fully to the rear and allow it to return sharply forward, leaving the hammer in fully cocked position. Press up on the Slide Lock Safety until it fully engages the slide lock notch.

**FIRING PIN SAFETY:** The firing pin safety is located on the upper rear part of the slide. The firing pin safety is engaged automatically by means of a spring, which acts on the firing pin safety and prevents the firing pin from moving forward, in other words, towards the firing position, whenever the pistol is not gripped correctly and firmly. The firing pin safety disconnect, situated in the frame, is aligned with the lower end of the firing pin safety when the slide is placed forwards, in the firing position. The upper front part of the lever, in the pistol frame, makes contact with the lower end of the firing pin safety disconnect piece, within the frame when the pistol is gripped firmly. In this way, pressure is applied to the lever, which engages the firing pin safety disconnect, which, in turn, engages the firing pin safety, finally releasing the firing pin so that this is free to move and fire when the trigger is pulled.

**GRIP SAFETY:** The Grip Safety is located on the upper rear part of the receiver. The Grip Safety is automatically applied by spring action to prevent rearward travel of trigger unless pistol grip is firmly and properly grasped. The front of the Grip Safety (inside the pistol frame) contacts rear of trigger to prevent its rearward movement. When the pistol grip is positively grasped, the Grip Safety is rotated out of contact with rear of trigger to allow trigger movement.

**HALF COCK NOTCH IN HAMMER:** The Half Cock Notch is an automatically operating fail-safe device, which will engage the sear in the unlikely event of primary sear notch failure. This will prevent the hammer from falling fully forward unintentionally and insure against uncontrolled automatic fire. It also prevents the hammer from striking the firing pin, should your hand slip from the slide while cocking the pistol, provided the hammer is rotated past the Half Cock Notch. The Half Cock Notch is not meant to be engaged by hand.

**CAUTION:** NEVER PLACE OR ALLOW THE HAMMER TO REMAIN IN THE HALF COCK NOTCH. THIS IS NOT A SAFE CARRYING POSITION. ANY EFFORT TO ENGAGE THE HAMMER IN THE HALF COCK NOTCH MAY RESULT IN THE HAMMER PERCHING ON THE LIP OF THE HALF NOTCH. THIS IS EXTREMELY HAZARDOUS. IF THE HAMMER IS IN THIS CONDITION IT COULD FALL FORWARD AND DISCHARGE THE PISTOL. THEREBY REISKING INJURY, DEATH OR DAMAGE TO PROPERTY.

Your gun has an effective, well-designed safety mechanism, but no safety mechanism can take the place of your own good sense and cautious gun handling. No safety can guard against horse-play, carelessness, or improper usage, and the safety may be rendered ineffective by breakage or malfunction due to abuse, incorrect assembly, or unauthorized adjustment.

Never allow a gun to point at any part of your body, or at any other person. If you obey this rule, even an accidental discharge will not cause injury.

The safety mechanism should remain on until the gun is pointed at the target, and you are ready to shoot.

Be sure to move the safety fully into position, or it will not be effective. Some guns have a red warning dot beside the safety, which could be completely covered when the safety is on.

Do not carry a gun with a cartridge in the chamber without the safety being on. (Double action revolvers and some double action pistols have automatic internal safety mechanisms rather than manual safeties.)

### **MAINTENANCE**

1. All moving parts should be coated lightly.
2. After firing, it is advisable to clean the barrel and chamber. Residue formation in the chamber may be able to cause misfire, due to the fact that the cartridge does not lodge in the chamber completely.
3. It is not recommend that the firearm should be “dry fired,” as the firing pin can be damaged.
4. Long-term storage requires that the gun be coated both outside and inside lightly.

### **SAFETY INSTUCTIONS**

We want you to enjoy shooting your LLAMA pistol, but we want you to enjoy it safely. You may be an experienced safe shooter already, familiar with the procedures in this instruction manual, or you may never have handled a gun before. Either way, we urge you to read this entire instruction manual carefully. You must follow the safety instructions for your safety and the safety of others.

**WARNING:** Do not put a round in the chamber until the pistol is in your hand and you are ready to shoot. Empty the pistol immediately after shooting.

**TO FIRE:** while the magazine is now loaded, the gun cannot be made to fire until a cartridge is fed into the chamber. To accomplish this, hold the gun in a firing attitude (do not touch the trigger and be careful to point it in a safe direction) and with the thumb and forefinger of the opposite hand, grasp the grooved rear surfaces of the slide (under the rear sight) and pull back firmly. Upon releasing, the slide cartridge will be lifted from the magazine and loaded into the chamber.

1. When cocking a gun, keep your finger off the trigger, and the muzzle pointed in a safe direction.
2. Never carry a cocked gun around, or leave a cocked gun attended! A cocked gun will fire with only slight pressure on the trigger. If you fall, or drop the gun, or someone strikes or disturbs it, it could easily fire accidentally.
3. When firing a semi-automatic gun, keep your fingers, hands face, and all other parts of your body away from the ejection port, or any place in the path of the movement of the slide (or bolt). The ejection of empty cartridges and the movement of the slide (or bolt) will not injure the shooter if the gun is held and fired in a proper position, in a normal grip (a handgun should be fired at arm's length, and a rifle or shotgun from the shoulder).
4. Be sure no one is standing where he or she may be struck by and empty cartridge case. Ejected cases are hot, and may cause burns or cuts, or eye injuries (if no eye protection is worn). Be sure there is a clear, safe unobstructed path for fired cases to be ejected, and that they will not bounce off a hard object and him someone.
5. If your gun develops a mechanical malfunction while shooting, or emits powder gas, or if a cartridge primer is punctured, or a cartridge case is bulged or ruptured, or if the sound

of firing is not quite right. **DO NOT CONTINUE SHOOTING! STOP IMMEDIATELY AND UNLOAD THE GUN**, and take it and the ammunition to a gunsmith.

6. A loaded cartridge case that becomes jammed in a semi-automatic gun between the slide (or bolt) and the barrel may be removed as follows: Keep the muzzle pointed in a safe direction. First, remove the magazine, and then pull the slide or bolt back and hold it or lock it to the rear. Remove the jammed case by shaking it out, or pick it out with your fingers.

## **SEMI-AUTOMATIC PISTOLS**

1. Carrying a semi-automatic pistol with a cartridge in the chamber greatly increases the chance of an accident. Doing so way only be justified in cases of clear and present danger, when the pistol may have to be fired immediately in self-defense, but this practice is not recommended. It is safest when carrying a loaded pistol to have the chamber empty.
2. If you **MUST** carry a semi-automatic pistol with a cartridge in the chamber, be sure the hammer is in the uncocked position. If your pistol has a hammer-lowering lever, use it rather than the trigger to lower the hammer. Also, if your pistol has a hammer-lowering lever, use it rather than the trigger to lower the hammer. Also, if your pistol has a manual safety, always leave the safety on when carrying the pistol with a cartridge in the chamber, until the gun is aimed at the target and you are ready to fire.
3. Ease the hammer down when uncocking, rather than letting it snap down, as this may cause the pistol to fire accidentally.
4. Some semi-automatic pistols have a hammer with a “half-cock” position, but this feature is **NOT** to be used as a safety. Use the manual safety (or hammer-lowering lever on some double-action pistols that do not have a manual safety). The “half-cock” only prevents unintended firing in case of internal breakage, or if your thumb skips off the hammer during manual cocking.

## **UNLOADING:**

1. Be sure the muzzle is pointed in a safe direction.
2. After removing the magazine, be sure to clear the chamber.
3. Do not assume that a gun is unloaded until you personally have looked to see.

## **TRANSPORTING AND STORING YOUR GUN**

1. Always keep your gun unloaded while transporting it to and from shooting activities.
2. Store guns and ammunition separately, preferably under lock and key. Keep guns and ammunition out of the reach of children and inexperienced, careless, or unauthorized adults.

## **AMMUNITION**

1. Use high-quality, original factory-made ammunition in your gun. Never use ammunition that is wet, dirty, bent, corroded, or otherwise damaged. Never oil or lubricate ammunition, or let excess aerosol lubricants, preservatives, or cleaners come into contact

with cartridges: this can cause dangerous malfunction. Be sure your ammunition is the proper caliber for your gun: you will find the proper caliber permanently engraved on the gun. Do not use any other caliber ammunition.

2. Reloading ammunition is a science, and improperly loaded ammunition can cause severe damage to your gun, and serious injury to both the shooter and other persons. Use ammunition approved by the Sporting Arms and Ammunition Manufacturers' Institute, Inc, of the United States (SAAMI). All warranties are void if you use reloaded, "remanufactured", hand-loaded, or other non-standard ammunition.
3. Excessive pressure inside the chamber or the barrel can cause severe damage to the gun and serious injury to the shooter. This can be caused by obstructions in the barrel, propellant powder overloads, or the use of incorrect, improperly assembled, dirty, corroded, or damaged cartridges.
4. Stop shooting IMMEDIATELY and check the barrel for obstructions if:
  - you have difficulty chambering a cartridge or feel unusual resistance.
  - a cartridge does not go off (misfires)
  - a fired cartridge case is not extracted
  - you see unburned grains of powder in the mechanism
  - a shot sounds abnormal or weak.

These conditions may be caused by a bullet lodged part way down the barre. DO NOT fire another bullet into the obstructed barrel, as this may damage the gun and cause serious injury to bath the shooter and bystanders.

5. Bullets lodged in the barrel can be caused by:
  - the cartridge being improperly loaded without propellant powder, or the powder failing to ignite, (ignition of the cartridge primer without powder will push the bullet out of the cartridge case, but usually is not sufficient to expel the bullet from the gun barrel).
  - a bullet that is not sealed tightly in its cartridge case, if a cartridge with a loose bullet is removed from the chamber without being fired, the bullet may remain in the barrel. Putting another cartridge in the chamber can push the first bullet farther into the barrel.
6. If you suspect that a bullet is obstructing the barrel, unload the gun immediately, and look through the bore. Do not merely look in the chamber as the bullet may be lodged further down the barrel where it cannot be seen easily. IF A BULLET IS OBSTRUCTING THE BARREL, DO NOT TRY TO SHOOT IT OUT WITH ANOTHER CARTRIDGE, A BLANK CARTRIDGE, OR A CARTRIDGE WITH THE BULLET REMOVED. THIS MAY CAUSE EXCESSIVE PRESSURE AND DAMGE THE GUN, AND CAUSE SERIOUS INJURY TO THE SHOOTER AND OTHERS. Dislodge the bullet by tapping it with a cleaning rod, then clean any unburned powder grains from the chamber, mechanism, and bore before firing again. If tapping with a cleaning rod does not dislodge the bullet, it is necessary to have a gunsmith remove it.
7. Dirty, corroded, oily, damaged, or deformed cartridges may not be chambered completely, and the cartridge case may burst when fired.
8. Wipe oil or preservative form the chamber before beginning to shoot, and do not oil cartridges. Oil interferes with the necessary friction between the cartridge case and the chamber wall. This causes stress similar to excessive pressure.
9. Do not use too much lubricant on the moving parts of your gun. Do not spray aerosol gun care products where they may come in contact with ammunition, and do not spray



them excessively. Lubricants, especially aerosol sprays, can penetrate cartridge primers and cause the ammunition to misfire. Some lubricants can get inside the cartridge cases and prevent the powder from igniting. If only the primer ignites, the bullet may become lodged in the barrel.

## **GUN CARE**

1. When your gun is delivered, it is factory packaged and has a light coating of protective grease and oils. Clear all packing grease and oil from the bore and exposed mechanism before loading.
2. Double-check to be sure your gun is unloaded before you start to disassemble your gun for cleaning.
3. After cleaning, make sure you have not left a cleaning patch or other obstruction in the bore of the chamber.

## **PARTS**

LLAMA HANDGUNS DISTRIBUTOR has a complete supply of replacement parts. If your gun needs service, we recommend that you return it to LLAMA HANDGUNS DISTRIBUTOR for repair. There are many qualified gunsmiths but naturally the work of any particular gunsmith, other than those in our Service Department, is completely beyond our control. Unauthorized adjustment or parts replacement can void the warranty on your gun.

If you have any question about your gun's performance, write to our Service Department, and describe all the condition and circumstances involved. If our Service Department feels that your gun needs factory service, they will let you know, and will give you instructions for the best handling of your shipment.

LLAMA HANDGUNS DISTRIBUTOR will inspect your gun thoroughly and evaluate the problem or problems you mentioned in your letter. If the repair work needed is not covered by the warranty, we will send you a quotation of the actual cost of repairs will be made without your expressed approval.

## **RETURNING GUN FOR SERVICE**

1. Federally licensed dealer may ship handguns through the US Mail. The Post Office confiscates handguns mailed by private individuals.
2. Under Federal law, you may return rifles and shotguns to the manufacturer for service by U.S. Mail, or other firearms via common carriers. State and local gun laws vary greatly. Consult your local prosecuting attorney about any laws in your area that may restrict shipping or receiving firearms. Considering these facts, we strongly recommend that you send guns to our distributor for repair through a Federally licensed dealer.
3. Ship all guns prepaid. **WE DO NOT ACCEPT COLLECT SHIPMENTS.**
4. The address for guns returned for repair is:

<p>Walker Arms Company 499 Dallas Road #820 Selma, Al. 36701</p> <p>Tel: 334-872-6231</p>	<p>Bolsa Gunsmithing 7404 Bolsa Avenue Westminster, Ca. 92683</p> <p>Tel: 714-894-9100</p>
<p>Ahlman's 9525 W. 230th Street Morristown, Mn. 55052</p> <p>Tel: 507-685-4243 or 4244</p>	<p>Reynerson's 10044 Hooper Rd. Baton Rouge, LA 70818</p> <p>Tel - 225-261-4860</p>

5. With your gun, enclose a letter stating the serial number, caliber, and barrel length of the gun, and what work is needed or what problem you experienced with it. Be specific, do not merely say “defective” or “repair as needed.” Also, enclose copies of any previous letters dealing with the repairs. There will be a minimum labor charge for repair work, not covered by warranty.
6. YOUR GUN MUST BE SHIPPED UNLOADED. Before shipping, double-check the chamber to be sure. LLAMA HANDGUNS DISTRIBUTOR is required by law to notify Federal authorities if guns are sent to us loaded.
7. When shipping guns to us, do not include custom grips or stocks, belts, slings, holsters, telescopic sights, or other accessories.

## **LIABITILY**

REVOLVERS AND PISTOLS ARE CLASSIFIED AS FIREARMS OR DANGEROUS WEAPONS, and FABRINOR and their Distributors sell them with the specific understanding that we are not responsible in any manner whatsoever for their state handling or resale under local laws and regulations.

FABRINOR and their Distributors are not responsible in any manner whatsoever for malfunctioning of the firearm, physical injury, or property damage that results in whole or in part form (1) intentional or negligent discharge, (2) improper or careless handling, (3) unauthorized modifications, (4) defective, improper, reloaded, or hand-loaded ammunition, (5) neglect, (6) corrosion or (7) other circumstances or influences beyond our direct and immediate control. This limitation is applicable regardless of whether liability is asserted on the basis of negligence, contract, or strict liability (including any failure to warn). FABRINOR and their distributor are not liable under any circumstances for incidental or consequential damages, such as commercial loss, loss of use of property, and loss of profits and earnings.

**LLAMA HANDGUNS ARE DISTRIBUTED  
EXCLUSIVELY IN THE UNITED STATES AND CANADA BY:**

**IMPORT SPORTS Inc.**  
1750 Brielle Ave

Unit B-1  
Wanamassa, NJ 07712  
(732) 493-0302

---

**IMPORTANT – KEEP THIS MANUAL WITH YOUR FIREARM! MANUAL MUST BE TRANSFERRED WITH CHANGE OF OWNERSHIP.**

Serial No \_\_\_\_\_

Owner Purchase \_\_\_\_\_ Date: \_\_\_\_\_

Owner Purchase \_\_\_\_\_ Date: \_\_\_\_\_

Owner Purchase \_\_\_\_\_ Date: \_\_\_\_\_

**NOTE: THIS INFORMATION CAN BE OF VALUE TO YOU FOR INSURANCE PURPOSES, PLEASE KEEP THIS FOLDER IN A SECURE PLACE.**