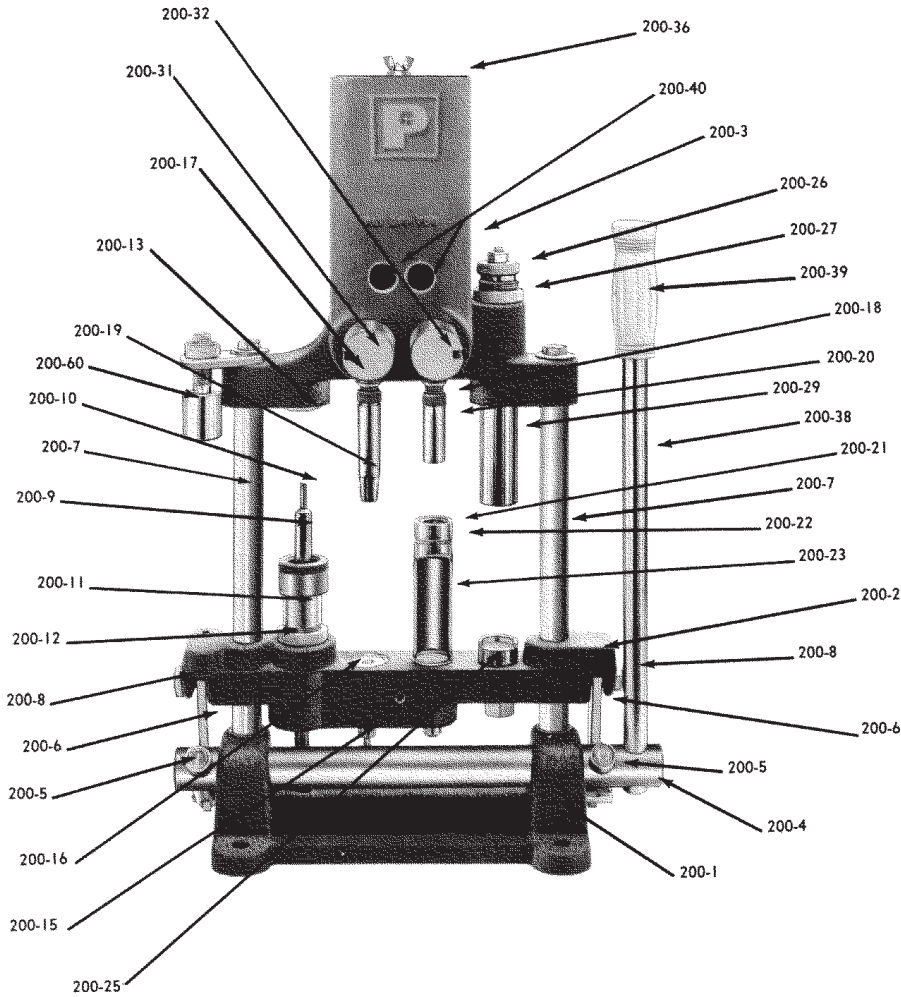




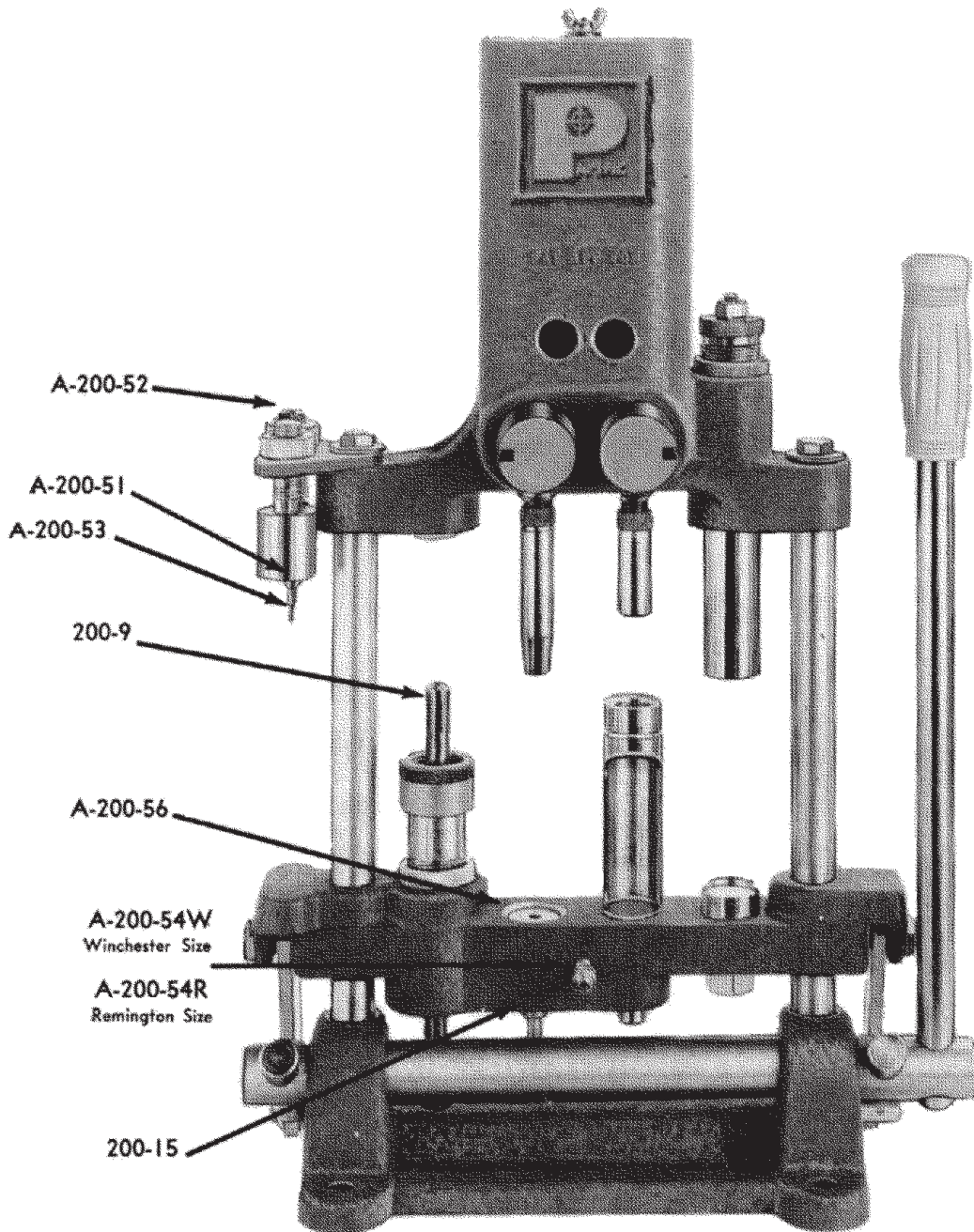
Pacific DL-200 Shotgun Reloader

PARTS LISTING



PART NUMBER	DESCRIPTION
200-1	Base Casting
200-2	Movable Platen
200-3	Hopper Casting
200-4	Pivot Shaft
200-5	Eccentric Arm
200-6	Link
200-7	Guide Post
200-8	End Screw
200-9	Case Knock Out
200-10	Decap Pin
200-11	*Size Die
200-12	Size Die Lock Nut
200-13	Case Anvil
200-14	Primer Seating Spring (not shown)
200-15	Combination Primer Seater
200-16	*Primer Disc
200-17	Drop Tube Adapter
200-18	Drop Tube Lock Nut
200-19	Powder Drop Tube
200-20	Shot Drop Tube
200-21	*Wad Guide Cap
200-22	*Spring Fingers
200-23	*Wad Guide Body
200-24	Wad Pressure Spring (not shown)
200-25	*Shell Holder
200-26	Crimp Die Bushing
200-27	Bushing Lock Nut
200-28	Crimp Die Spring (not shown)
200-29	*Crimp Die
200-30	*Crimp Plunger (not shown)
200-31	Powder Charge Bar
200-32	Shot Charge Bar
200-33	Bar Stop Bolt (not shown)
200-34	Bar Spring (not shown)
200-35	Back Plate (not shown)
200-36	Hopper Lid
200-37	Bar Stop Bushing (not shown)
200-38	Operating Lever
200-39	Lever Grip
200-40	Hopper Windows
200-60	Taper-Loc Die
200-61	Crimp Starter Die (Accessory)

For parts inquiries, call 1-800-338-3220



A-200-51	*Cap Extractor Body.....
A-200-52	Extractor Body Lock Nut.....
A-200-53	Cap Extractor Pin.....
A-200-54R	Anvil Tool—Remington Size..
A-200-54W	Anvil Tool—Winchester Size..
A-200-56	*Cap Seating Disc.....