

**INSTRUCTION MANUAL
FOR
FREEDOM ARMS® MODEL 83
5 SHOT REVOLVER**

Manufacturing the "World's Finest Revolvers"



**IMPORTANT: KEEP THIS BOOKLET
HANDY FOR REFERENCE.**

This manual should always accompany the firearm, even upon sale, transfer, loan or otherwise. For your own safety and the safety of others study this manual before using your Freedom Arms revolver. It is your responsibility to learn and to understand how to correctly operate and safely use this firearm. If you have any questions or comments please call or write to us:

**Freedom Arms, Inc.
P.O. Box 150, #1 Freedom Lane
Freedom, Wyoming 83120
(307) 883-2468
website: www.freedomarms.com
e-mail: freedom@freedomarms.com**

©Freedom Arms, 1997. All rights reserved.



FREEDOM ARMS, INC.

P.O. BOX 150

#1 FREEDOM LANE

FREEDOM, WYOMING 83120

(307) 883-2468

website: www.freedomarms.com

e-mail: freedom@freedomarms.com

Printed in U.S.A.

0702ATP1M

IMPORTANT INFORMATION ABOUT YOUR FREEDOM ARMS REVOLVER

Please record for your future reference.

Serial Number _____

Caliber _____

Special Features _____

Purchase Price _____

Purchased From _____

Date of Purchase _____

IMPORTANT

TO VALIDATE THE WARRANTY ON YOUR FREEDOM ARMS® REVOLVER, DETACH, FILL IN, AND RETURN THE WARRANTY REGISTRATION CARD WITHIN 30 DAYS OF REVOLVER PURCHASE.

WARRANTY REGISTRATION CARD

Serial No. _____

Barrel Length _____

Customer Name _____

Address _____

City _____ State _____ Zip _____

Phone No. _____

Dealer Purchased from _____

Address _____

City _____ State _____ Zip _____

Date Purchased _____

0702ATP1M

CONGRATULATIONS! You have purchased a top quality firearm that is designed to give you a lifetime of shooting pleasure and dependability. Your revolver has been manufactured with the finest materials and craftsmanship.

The warranty registration card is attached to the back cover of this manual. Please fill in the requested information, detach, and mail it to Freedom Arms®. This procedure is required to validate the limited warranty on your revolver.

We are very interested in hearing your comments about the firearm you have purchased. Please feel free to contact us at any time.

FIREARM SAFETY IS YOUR RESPONSIBILITY.

As a firearm owner, you assume very demanding responsibilities. A firearm is a potentially dangerous product and must always be treated as such. It is absolutely essential that you read this manual and familiarize yourself with the proper operation of this firearm before it is ever loaded. **The safe handling** of your Freedom Arms® revolver is **YOUR** responsibility.

1. **FULLY UNDERSTAND THE OPERATION OF YOUR FIREARM BEFORE LOADING AND FIRING IT.** As with any precision tool, you must respect it and thoroughly understand its proper care and operation before use. If you do not fully understand the functioning and handling of this firearm, seek help from a qualified instructor.
2. Handle every firearm as if it were loaded. Always keep it pointed in a safe direction to avoid injury or damage from an unintended firing.

3. Always keep your revolver unloaded until you are ready to fire it. Be sure your firearm is unloaded before passing it to another person, before storing it, or whenever releasing it from your possession.
4. Before loading, remove the cylinder, then inspect the interior of the barrel and the cylinder as well as the visible operating parts to be sure they are clean and free of obstructions. Any obstruction in the barrel or cylinder may result in a damaged firearm and possible personal injury. **If, when firing, you hear a weak or abnormal sound, or experience a misfire, keep the barrel pointed in a safe direction for at least 30 seconds in case of a “hangfire” (a “hangfire” refers to the situation when the cartridge does not fire immediately after the hammer has fallen). Then unload all ammunition, remove the cylinder and check the barrel and cylinder for obstructions.**
5. **NEVER HANDLE YOUR FREEDOM ARMS® REVOLVER WITH A LIVE CARTRIDGE IN THE CYLINDER CHAMBER WHICH IS IN LINE WITH THE BARREL AND FIRING PIN, UNTIL YOU ARE FULLY PREPARED TO SHOOT AT YOUR TARGET. IN THE FIELD NEVER CARRY THE REVOLVER WITH A LIVE CARTRIDGE IN THE CHAMBER WHICH IS IN LINE WITH THE BARREL AND FIRING PIN.**
6. Never cock the hammer of your revolver or place your finger in the trigger guard until you are ready to fire.
7. When firing any type of firearm, use safety glasses and ear protection. This is especially important with some of the more powerful cartridges used in the Freedom Arms® revolver. Any bystander should be well behind

the person shooting and should also use eye and ear protection.

8. Inexperienced shooters should first receive competent instruction in holding and firing the Freedom Arms® revolver. We recommend that you:

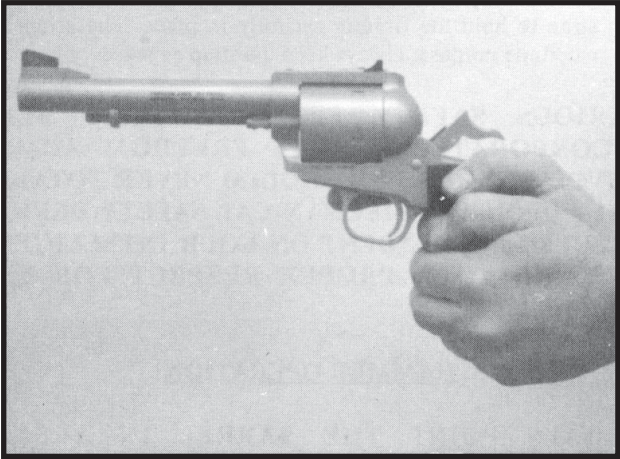


Figure 1 -- Two-Handed Grip

A. Hold the revolver using a two-handed grip. Figure 1 shows one type of two-handed grip.

NEVER PLACE ANY PORTION OF YOUR HAND OR FINGERS IN FRONT OF THE CYLINDER AS ESCAPING GASES WILL CAUSE PERSONAL INJURY.

B. Making sure the revolver is pointed in a safe direction, fully extend your arms out in front of your body and lock your elbows in this position. Then sight, place your finger in the trigger guard, and fire the

revolver, making sure your elbows remain locked while the revolver is recoiling.

9. For carrying the Freedom Arms® revolver, select a holster which securely holds and protect the revolver. We recommend using a Freedom Arms® holster or other similar top quality holster equipped with a retention strap to hold the firearm securely in place. The strap has a definite purpose; always keep the strap engaged.

VARIOUS SAFETY FEATURES HAVE BEEN INCORPORATED IN THE FREEDOM ARMS® REVOLVER, BUT YOU SHOULD NEVER TOTALLY RELY UPON ANY MECHANICAL SAFETY DEVICE. SAFETY IS DEPENDENT ON YOUR INTELLIGENT USE AND YOUR PROPER RESPECT FOR THE FIREARM.

HAMMER OPERATION

ALWAYS POINT THE BARREL IN A SAFE DIRECTION WHEN OPERATING YOUR FREEDOM ARMS® REVOLVER, WHETHER LOADED OR EMPTY.

Your Freedom Arms® 5 Shot Revolver is a single-action revolver. This means that the hammer of the revolver must be drawn back or cocked with the thumb before each shot is fired. This revolver has 4 distinct hammer positions. (See Figures 2 through 5). Proper gun safety requires that you practice and become familiar with these hammer positions **BEFORE** loading your revolver.

NEVER HANDLE YOUR FREEDOM ARMS® REVOLVER WITH A LIVE CARTRIDGE IN THE CYLINDER CHAMBER WHICH IS IN LINE WITH

THE BARREL AND FIRING PIN UNTIL YOU ARE FULLY PREPARED TO SHOOT AT YOUR TARGET.

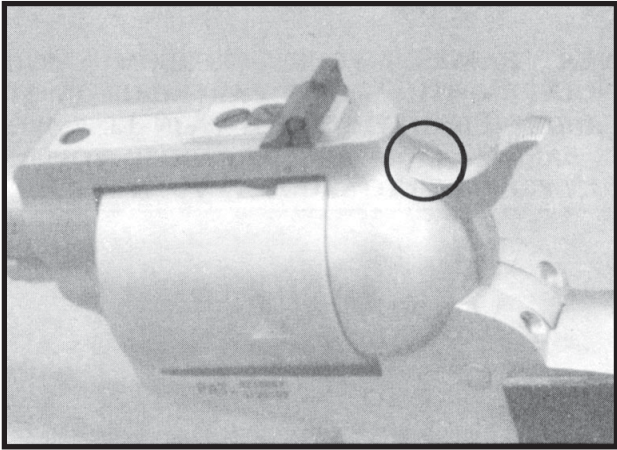


Figure 2 -- Fired Position

FIRED POSITION - In this position, the hammer is all the way down against the receiver and firing pin. (See Figure 2) When the hammer is in this position, pulling the trigger has no effect. **CAUTION: IF THE HAMMER IS IN THE FIRED POSITION AND A LIVE CARTRIDGE IS IN LINE WITH THE BARREL AND FIRING PIN, THE REVOLVER WILL FIRE IF IT IS DROPPED, OR IF THE HAMMER IS OTHERWISE STRUCK, WITH SUFFICIENT FORCE.**

The hammer can be placed in the Fired Position from any other hammer position by performing the following steps, in sequence:

A. Securely grip the hammer with your thumb, then pull it slightly rearward.

B. Pull the trigger, and while keeping the trigger pulled, slowly lower the hammer until it rests against the receiver. (See Figure 2)

NEVER HANDLE YOUR FREEDOM ARMS® REVOLVER WITH A LIVE CARTRIDGE IN THE CYLINDER CHAMBER WHICH IS IN LINE WITH THE BARREL AND FIRING PIN UNTIL YOU ARE FULLY PREPARED TO SHOOT AT YOUR TARGET.



Figure 3 -- Full-Cock Position

FULL-COCK POSITION - In this position the hammer is as far back as it will go. (See Figure 3) When the hammer is in this position, pulling the trigger will cause the hammer to fall and strike the firing pin. **CAUTION: IF THE HAMMER IS IN THE FULL-COCK POSITION AND A LIVE CARTRIDGE IS IN LINE WITH THE BARREL AND FIRING PIN, THE REVOLVER WILL FIRE IF IT IS DROPPED AND HITS WITH SUFFICIENT FORCE.**

NEVER PLACE THE HAMMER IN THE FULL-COCK POSITION UNLESS THE REVOLVER IS TO BE FIRED IMMEDIATELY. NEVER CARRY THE REVOLVER WITH THE HAMMER IN THE FULL-COCK POSITION UNDER ANY CIRCUMSTANCES.

The hammer can be placed in the Full-Cock Position by performing the following steps, in sequence:

A. Securely grip the hammer with your thumb. Keep your finger out of the trigger guard.

B. Pull the hammer as far back as it will go, and then slowly remove your thumb from the hammer. The hammer will now be locked in the Full-Cock Position. (See Figure 3) **BE CERTAIN THAT THE HAMMER IS LOCKED IN THE FULL-COCK POSITION BEFORE RELEASING THE HAMMER FROM YOUR GRIP.**

If the hammer will not remain in the full-cock position, lower the hammer carefully all the way down to the Fired Position, and then back to the Half-Cock Position, unload all cartridges, and have the revolver inspected by a competent gunsmith.

NEVER HANDLE YOUR FREEDOM ARMS® REVOLVER WITH A LIVE CARTRIDGE IN THE CYLINDER CHAMBER WHICH IS IN LINE WITH THE BARREL AND FIRING PIN UNTIL YOU ARE FULLY PREPARED TO SHOOT AT YOUR TARGET.



Figure 4 -- Half-Cock Position

HALF-COCK POSITION - In this position, the hammer is located approximately midway between the Fired Position and the Full-Cock Position. (See Figure 4) Use this hammer position **ONLY** for loading and unloading the revolver. In the Half -Cock Position, the trigger will not move. Do not attempt to force the trigger when the hammer is in this position. After loading or unloading the revolver, the hammer must be lowered to the fired position and the cylinder rotated counter-clockwise until it locks in place. If the hammer is moved from the half-cock position to the full-cock position, without first lowering the hammer to the fired position, misalignment of the cylinder chamber to barrel can occur.

The hammer can be placed in the Half-Cock Position from any other hammer position by performing, in sequence, the steps outlined either in I. or II. immediately below, whichever is applicable:

I. When the hammer is in the Fired Position or in the Hammer Safety Position:

A. Securely grip the hammer with your thumb.

B. Keeping your finger out of the trigger guard, pull the hammer back approximately half way between the Fired Position and the Full-Cock Position.

C. Then Slowly let the hammer forward until it engages in the Half-Cock Position. (See Figure 4) **BE CERTAIN THAT THE HAMMER IS FULLY LOCKED IN THE HALF-COCK POSITION BEFORE RELEASING THE HAMMER FROM YOUR GRIP.** (This position will become easy to locate with sufficient practice.)

II. When the hammer is in the Full-Cock Position:

A. Securely grip the hammer with your thumb.

B. Gently pull the trigger and allow the hammer to move forward slightly, then immediately remove your finger from the trigger guard and continue letting the hammer down slowly until the hammer locks in the Half-Cock Position. (See Figure 4) **BE CERTAIN THAT THE HAMMER IS FULLY LOCKED IN THE HALF-COCK POSITION BEFORE RELEASING THE HAMMER FROM YOUR GRIP.** (This position will become easy to locate with sufficient practice.)

NEVER HANDLE YOUR FREEDOM ARMS® REVOLVER WITH A LIVE CARTRIDGE IN THE CYLINDER CHAMBER WHICH IS IN LINE WITH THE BARREL AND FIRING PIN UNTIL YOU ARE FULLY PREPARED TO SHOOT AT YOUR TARGET.

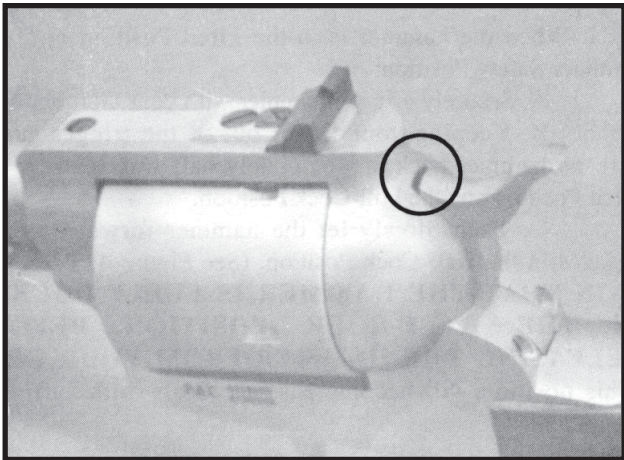


Figure 5 -- Hammer Safety Position

HAMMER SAFETY POSITION - In this position, the hammer is slightly back and away from the receiver, and you will see a slight gap between the hammer and receiver. (See Figure 5)

When the hammer is in this position, the safety bar is physically positioned between the hammer and receiver to prevent the hammer from hitting the firing pin. When the hammer is in the Hammer Safety Position, pulling the trigger has no effect.

The hammer can be placed in the Hammer Safety Position from other hammer positions by performing the following steps, in sequence:

- A. Carefully place the hammer in the Fired Position as explained on page 5.
- B. Remove your finger from the trigger guard.
- C. Gently rotate the cylinder counter-clockwise until it will no longer rotate. (This will not be necessary if you lowered the hammer from the Full-Cock Position.)

D. Securely grip the hammer with your thumb and pull it slowly rearward until the cylinder rotates slightly. Then slowly let the hammer forward until it stops in the Hammer Safety Position. (This position will become easy to locate with sufficient practice.)

E. Visually confirm that there is a gap between the hammer and the receiver, as shown in Figure 5. If there is no gap, carefully repeat steps A, B, C, D and E.

LOADING

To load the revolver, perform the following steps, in sequence:

A. Lower the hammer to the Fired Position and then pull it back to the Half-Cock Position. This sequence allows the cylinder to rotate. The cylinder can now be rotated manually, but only in a clockwise direction. You will experience light resistance as you rotate the cylinder, and you will hear a clicking sound.

B. Using your thumb to open the loading gate, swing it out to the right until it stops. Rotate the cylinder in order to place cartridges in the desired chambers.

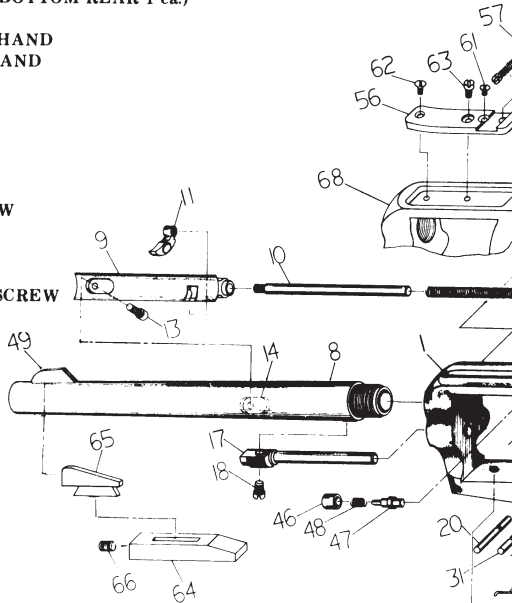
C. Close the loading gate. **THE LOADING GATE MUST BE FULLY CLOSED BEFORE FIRING THE REVOLVER.**

D. With an empty chamber under the firing pin, lower the hammer to the fired position. Rotate the cylinder counter-clockwise until it locks in place.

NEVER HANDLE YOUR FREEDOM ARMS® REVOLVER WITH A LIVE CARTRIDGE IN THE CYLINDER CHAMBER WHICH IS IN LINE WITH THE BARREL AND FIRING PIN UNTIL YOU ARE FULLY PREPARED TO SHOOT AT YOUR TARGET. IN THE FIELD NEVER CARRY THE REVOLVER

FREEDOM 5 SHOT SINGLE REVO PARTS

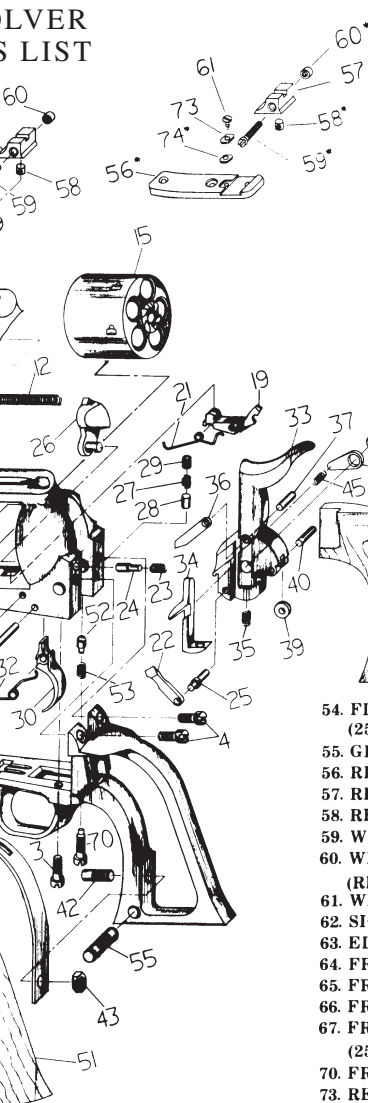
- | ITEM NO. | NAME |
|----------|--------------------------------------|
| 1. | RECEIVER |
| 2. | GRIP FRAME |
| 3. | FRAME SCREW (LEFT BOTTOM REAR 1 ea.) |
| 4. | FRAME SCREWS (3 ea.) |
| 5. | ESCUTCHEON, RIGHT HAND |
| 6. | ESCUTCHEON, LEFT HAND |
| 7. | GRIP SCREW |
| 8. | BARREL |
| 9. | EJECTOR TUBE |
| 10. | EJECTOR ROD |
| 11. | EJECTOR TAB |
| 12. | EJECTOR SPRING |
| 13. | EJECTOR TUBE SCREW |
| 14. | RECOIL LUG |
| 15. | CYLINDER |
| 17. | CYLINDER AXIS PIN |
| 18. | CYLINDER AXIS PIN SCREW |



- | | |
|-----|------------------------|
| 19. | CYLINDER LOCK |
| 20. | CYLINDER LOCK AXIS PIN |
| 21. | CYLINDER LOCK SPRING |
| 22. | CYLINDER HAND |
| 23. | HAND SPRING |
| 24. | HAND PLUNGER |
| 25. | HAND PIN |
| 26. | LOADING GATE |
| 27. | LOADING GATE SPRING |
| 28. | LOADING GATE PLUNGER |
| 29. | LOADING GATE SCREW |
| 30. | TRIGGER |
| 31. | TRIGGER PIN |
| 32. | TRIGGER SPRING |
| 33. | HAMMER |
| 34. | SAFETY BAR |
| 35. | SAFETY BAR SPRING |
| 36. | SAFETY ACTUATOR BAR |
| 37. | ACTUATOR PIN |



M ARMS®
GLE ACTION
LVER
S LIST



- | ITEM NO. | NAME |
|----------|---|
| 38. | HAMMER AXIS PIN |
| 39. | HAMMER ROLLER |
| 40. | HAMMER ROLLER AXIS PIN |
| 41. | MAIN SPRING |
| 42. | MAINSRING BOLT |
| 43. | MAINSRING NUT |
| 44. | TRIPPET |
| 45. | TRIPPET, SPRING |
| 46. | FIRING PIN BUSHING |
| 47. | FIRING PIN |
| 48. | FIRING PIN SPRING |
| 49. | FRONT SIGHT FIXED |
| 50. | GRIP, RIGHT |
| 51. | GRIP, LEFT |
| 52. | HAMMER AXIS PIN RETAINER |
| 53. | HAMMER AXIS RETAINING SPRING |
| 54. | FIRING PIN RETAINER SCREW
(252 not shown) |
| 55. | GRIP LOCATING PIN |
| 56. | REAR SIGHT BASE |
| 57. | REAR SIGHT SLIDE |
| 58. | REAR SIGHT ADJUSTMENT LUG |
| 59. | WINDAGE SCREW |
| 60. | WINDAGE SCREW, NUT
(REPLACED AT FACTORY) |
| 61. | WINDAGE LOCK SCREW |
| 62. | SIGHT BASE HOLD DOWN SCREW |
| 63. | ELEVATION, SCREW |
| 64. | FRONT SIGHT RAMP |
| 65. | FRONT SIGHT BLADE |
| 66. | FRONT SIGHT BLADE RETAINING SCREW |
| 67. | FRONT SIGHT RAMP RETAINING SCREW
(252 not shown) |
| 70. | FRAME SCREW (1 ea.) |
| 73. | REAR SIGHT SLIDE CLAMP |
| 74. | REAR SIGHT SLIDE LOCK NUT |

WITH A LIVE CARTRIDGE IN THE CHAMBER WHICH IS IN LINE WITH THE BARREL AND FIRING PIN.

UNLOADING

To unload the revolver, perform the following steps, in sequence:

A. Lower the hammer to find the Fired Position and then pull it back to the Half-Cock Position. This sequence allow the cylinder to rotate.

B. Open the loading gate.

C. Push the ejector tab (located under the barrel) toward the cylinder to eject the cartridge or case from the cylinder. Repeat until all chambers are empty.

FIRING

To fire the revolver:

A. Hold the revolver as recommended on page 3, paragraph 8

B. Point the revolver in the direction of the intended target.

C. Pull the hammer back until it locks in the Full-Cock Position. Be certain that the hammer is locked in this position before releasing it from your grip.

D. Aim and then pull the trigger.

RECOMMENDED METHOD FOR CARRYING YOUR LOADED FREEDOM ARMS® REVOLVER IN THE FIELD

NEVER CARRY A LOADED REVOLVER UNLESS YOU ARE IN THE FIELD. When carrying your loaded

revolver in the field, we recommend that you do the following, in sequence:

A. Place the hammer in the Half-Cock Position and open the loading gate.

B. Load four live cartridges in successive chambers. Using the above sequence, the empty chamber will be in line with the firing pin and barrel.

C. Lower the hammer to the Fired Position.

D. Rotate the cylinder very slightly **COUNTER-CLOCKWISE** until it locks.

E. Place the hammer in the Hammer Safety Position.

F. Close the loading gate.

G. Now place the revolver in a Freedom Arms® holster or other similar top quality holster equipped with a retention strap which fits tightly around the hammer and snaps or otherwise securely attaches to the holster while the hammer is in the Hammer Safety Position.

H. If at any time the hammer is moved or cocked, regardless of whether the revolver is fired, then you must place the hammer in the Half-Cock Position and align the empty chamber with the barrel and firing pin. Then repeat steps C, D, E, F and G.

REMOVING THE CYLINDER

To remove the cylinder for cleaning or inspection, perform the following steps in sequence:

A. Check to be sure the revolver is unloaded.

B. Lower the hammer to the Fired Position, then pull it back to the Half-Cock Position.

C. Check to be sure the loading gate is closed.

D. Remove the screw from the head of the cylinder axis pin located under the barrel next to the receiver. Grip the

head of the cylinder axis pin and slide it all the way forward until it touches the ejector tab.

E. Open the loading gate, and remove the cylinder from the loading gate side of the revolver with a rolling clockwise motion. Use care not to scratch or damage the cylinder by forcing it out of the receiver.

To reinstall the cylinder, perform the following steps, in sequence:

A. Lower the hammer to the Fired Position, then pull it back to the Half-Cock Position.

B. Check to be sure the loading gate is open, and the cylinder axis pin is touching the ejector tab.

C. Install the cylinder from the loading gate side of the revolver with a rolling counter-clockwise motion. Use care not to scratch or damage the cylinder by forcing it into the receiver.

D. Close the loading gate.

E. Align the cylinder so that the cylinder axis pin slides back into place resting against the receiver. Install the screw in the cylinder axis pin and tighten securely.

CLEANING

The following steps are recommended for cleaning your Freedom Arms® revolver:

A. Remove the cylinder.

B. Dip a brass, wire-bristle brush into a quality gun cleaning solvent and then scrub out the interior of the barrel and cylinder chambers. Never try to reverse the direction of the brush while the bristles are in the barrel interior or the chambers. Always push the bristles all the way through in each direction before reversing direction.

C. Using a brass tipped cleaning rod, clean the barrel interior and cylinder chambers with cloth patches until the last patch comes out clean.

D. Place a light coat of oil in the barrel interior, in cylinder chambers and on all external metal parts. **Do not allow excessive oil to remain in the cylinder chambers or the barrel interior.** This may cause firearm damage and personal injury.

E. It is important to clean and lightly lubricate the cylinder axis pin and related holes frequently. If this is not done, the cylinder will become difficult to turn when using the revolver.

F. Replace the cylinder

G. Check all screws to ensure that they are tight.

H. This revolver is constructed of high quality stainless steel. However, while most stainless steels are rust resistant, they are not rust proof. Freedom Arms® recommends that the surface of your gun be cleaned regularly with a quality gun cleaning solvent and that the surface of your gun be wiped periodically with an oiled cloth in order to maintain the excellent appearance of its original finish.

GENERAL INFORMATION

1. The front sight on the fixed sight revolvers is left high for the owner to file down to his own sighting preference.

2. All exterior screws should be tightened periodically.

3. If cylinder rotation becomes sluggish or sticky, this is frequently caused by a powder residue build-up between the cylinder and cylinder axis pin. The cylinder axis pin and related holes should be periodically cleaned and oiled with a quality gun oil.

4. It is not advisable to dry-fire your revolver, as this may damage the firing pin. Freedom Arms® has snap caps available for all center-fire calibers.

5. Always follow safe, accepted reloading practices. When reloading center-fire ammunition, great care must be taken to seat the primer at least .003" **BELOW** the top of the primer pocket. Failure to do so may cause multiple chambers to ignite when the revolver is fired, or may prevent proper cylinder rotation.

6. Never attempt to “fan” or otherwise rapidly cock a Freedom Arms® revolver, as doing so may cause damage to the cylinder or firing pin.

7. A key factor in the superb accuracy of a Freedom Arms® revolver is the close fit of the cartridges in the cylinder chamber. This is especially true of the Model 252 .22 Long Rifle chambers. Clean, high quality ammunition must be used in all Freedom Arms® revolvers. Some cartridges may require manual assistance to seat fully in the chambers. Clean chambers are essential for the proper and reliable functioning of all revolvers.

8. The use of .45 Long Colt ammunition in 454 Casull chambers is NOT recommended. An optional .45 Long Colt cylinder is available for your Freedom Arms® revolver chambered in 454 Casull.

LIMITED WARRANTY

Freedom Arms® hereby warrants to the original retail purchaser of the Freedom Arms® 5 Shot Single Action Revolver, that the firearm purchased shall be free from defects in material and workmanship under normal use and service for the period specified below:

Revolver Model

Premier Grade

Field Grade

Model 252

Limited Warranty PeriodDuration of ownership by original
retail purchaser1 Year from date of purchase by
original retail purchaser1 Year from date of purchase by
original retail purchaser

Wear caused by use is not covered by this warranty. The term “original retail purchaser” means the person who first purchased the firearm in a new and unused condition from a retail dealer. This limited warranty shall become void and shall no longer apply to any Freedom Arms® 5 Shot Single Action Revolver: (1) which has been altered or modified in any way, or (2) upon which there have been repairs not specifically authorized by Freedom Arms®, or (3) which Freedom Arms® reasonably determines has been the subject of misuse, negligence, improper care, accident, or excessive or extraordinary wear, or (4) which has been sold, transferred, assigned or otherwise disposed of by the original retail purchaser.

In the event that any defect in material or workmanship occurs or appears within the warranty period, the original retail purchaser shall contact Freedom Arms®, No. 1 Freedom Lane, P.O. Box 150, Freedom Wyoming 83120, (307) 883-2468 within ten days after the first appearance or occurrence of such defect. Upon notification, Freedom Arms® shall advise the original retail purchaser of the appropriate action to be taken in order to remedy the defect. If requested to do so by Freedom Arms®, the original retail purchaser shall, at his own expense, return the firearm to Freedom Arms®, in Freedom, Wyoming. In the event that the defect in material or workmanship occurred within the warranty period, and in the further event that the warranty has not

become void or inapplicable of one or more of the reasons specified above, and Freedom Arms® received proper and timely notice, then Freedom Arms®, at its discretion, shall repair the firearm at its own cost, and shall also at its own cost return the firearm to the original retail purchaser. All repairs to a defective firearm covered under this limited warranty shall be undertaken only at the Freedom Arms® headquarters in Freedom, Wyoming, unless specific written authorization is first received from Freedom Arms® authorizing the repair of the firearm at another facility.

As an additional condition of this limited warranty, the original purchaser shall, within thirty days after they have purchased the firearm from a retail dealer, complete the Warranty Registration Card provided to him at the time of his purchase of the firearm, and mail it to Freedom Arms® at the address appearing on the card. The fulfillment of this additional condition is required to validate the warranty coverage described herein.

If any customized work is done on any Freedom Arms® revolver other than by Freedom Arms®, then this limited warranty shall become void and of no further force and effect.

The failure of the original retail purchaser to timely comply with the responsibilities/conditions imposed upon him by the terms of this limited warranty, shall relieve Freedom Arms® of any obligation with regard to any defect otherwise covered under the terms of this limited warranty. Any questions regarding the proper procedures to be followed under the terms of this warranty should be directed to Freedom Arms® in writing or by telephone.

Any and all liability or obligations of Freedom Arms® arising from the manufacture, sale, or use of any firearm

covered under the terms of this limited warranty shall terminate upon the expiration of the specified warranty period or sooner upon the occurrence of one of the conditions set forth previously in this limited warranty.

Freedom Arms® assumes no liabilities or obligations other than those expressly set forth in this limited warranty, and no other person or entity is authorized to assume any other obligation or liability in behalf of Freedom Arms® in connection with any firearm manufactured by it.

LIMITATIONS ON IMPLIED WARRANTIES

THIS WRITTEN LIMITED WARRANTY IS MADE EXPRESSLY IN LIEU OF ANY OTHER WARRANTIES, EXPRESSED OR IMPLIED IN FACT OR BY LAW, INCLUDING ANY IMPLIED WARRANTY OF MERCHANTABILITY OR FITNESS FOR A PARTICULAR PURPOSE, AND IS IN LIEU OF ANY OTHER OBLIGATION OR LIABILITY OF ANY NATURE WHATSOEVER ON THE PART OF FREEDOM ARMS® TO ANYONE BY REASON OF THE MANUFACTURE AND/OR USE OF ANY FIREARM MANUFACTURED BY IT. ANY AND ALL IMPLIED WARRANTIES SPECIFICALLY ARISING UNDER AND REQUIRED BY LAW ARE HEREBY EXPRESSLY LIMITED IN DURATION TO THE WARRANTY PERIOD SET FORTH IN THIS LIMITED WARRANTY.

Some States do not allow limitations on how long an implied warranty lasts, so the above warranty sets forth specific legal rights, and you may have other rights which vary from state to state.

WARNING

Discharging firearms in poorly ventilated areas, cleaning firearms, or handling ammunition may result in exposure to lead and other substances known to cause birth defects, reproductive harm, and other serious physical injury. Have adequate ventilation at all times. Wash hands thoroughly after exposure.

**IF YOU HAVE ANY QUESTIONS OF PROBLEMS,
PLEASE CONTACT FREEDOM ARMS®.**

Address: #1 Freedom Lane, Freedom, WY 83120

Telephone: (307) 883-2468

Fax: (307) 883-2005

e-mail address: freedom@freedomarms.com

**PLEASE RECORD YOUR
CHAMBER LOCK KEY NUMBER**