

# THE *Venom* *Viper*

**PLEASE READ THE WEBLEY RAIDER  
OWNER'S MANUAL, SUPPLIED WITH  
THIS LEAFLET BEFORE USING YOUR  
NEW AIR GUN.**

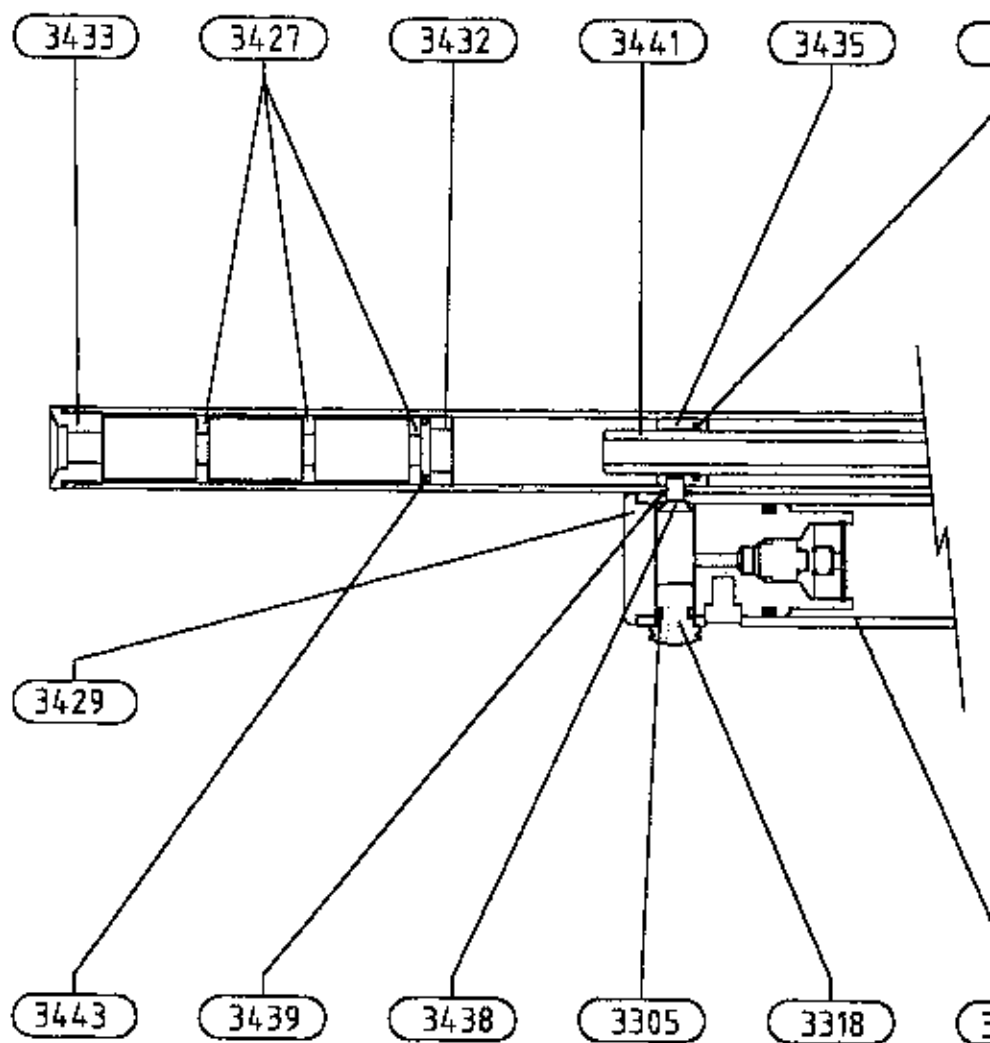
**WEBLEY VENOM**



## **CUSTOM SHOP**

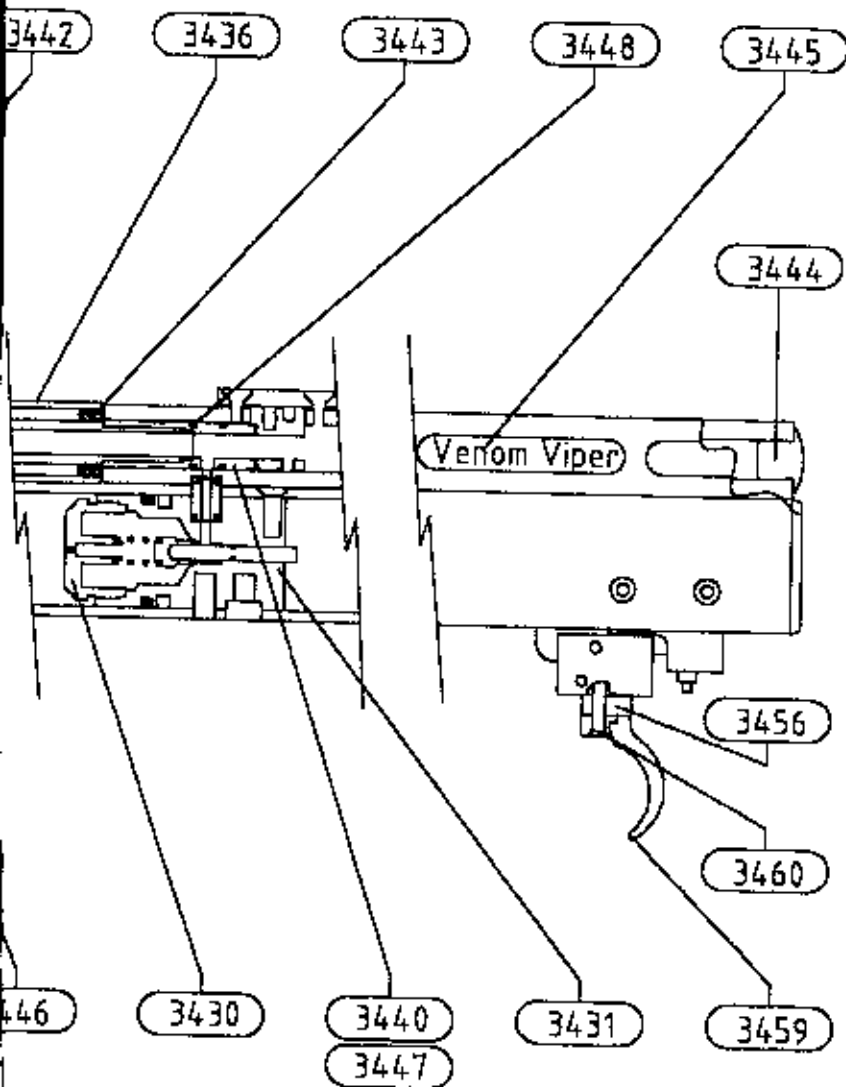
Frankley Industrial Park, Tay Road, Rubery,  
Rednal, Birmingham, B45 0PA, England.  
TELEPHONE: 0121 453 1864. FAX: 0121 457 7846.

# Venom V



PART NO	DESCRIPTION	QTY	PART NO	DESCRIPTION
3305	FILLER PLUG O RING	1	3435	BARREL STEADY
3318	FILLER PLUG BLACK	1	3436	BARREL SHROUD
3427	BAFFLE	3	3438	SILENCER FIXING SCREW
3429	END PLUG FRONT	1	3439	SILENCER SEATING WASHER
3430	VALVE CAP	1	3440	BARREL SLEEVE 2 SHOT
3431	VALVE HOUSING	1	3441	BARREL .22
3432	BAFFLE SPACER	1	3442	BARREL STEADY O RING
3433	SILENCER END CAP	1	3443	BARREL O RING

# Viper



QTY	PART NO	DESCRIPTION	QTY
1	3444	BARREL HOUSING PLUG	1
1	3445	BARREL HOUSING	1
1	3446	BODY TUBE	1
1	3447	BARREL SLEEVE SINGLE SHOT	1
1	3448	BARREL SLEEVE O RING	2
1	3459	TRIGGER	1
1	3460	TRIGGER SCREW	1
3			

# THE VENOM VIPER AIR RIFLE

Based on the Webley Raider precharged air rifle, the Venom Viper is a fully customised sporter developed specifically for the hunter.

The Viper's specification includes:

1. Lothar Walther choked barrel.
2. Built in silencer/barrel shroud.
3. 2 stage adjustable custom trigger.
4. Single shot and 2 shot magazine versions available.
5. .22 calibre.
6. Ambidextrous walnut and beech stocks available.
7. A quick-fill charging system is fitted as standard.
8. Approx. 80 shots from 1 charge.
9. Can be charged using a Webley Pump.
10. 12 month Guarantee.

WEIGHT(no sight fitted): 6.2 lbs (2.8kgs)

BARREL LENGTH: 14 ins. (35.5cm)

OVERALL LENGTH: 37.5ins. (95.2cm)

MAX. SAFE WORKING PRESSURE 200 BAR.

## **! WARNING !**

**THE VENOM VIPER CONTAINS PRESSURISED AIR.  
DO NOT ATTEMPT TO DISMANTLE THE RIFLE WHILST IT IS  
PARTIALLY OR FULLY CHARGED.  
SERIOUS INJURY AND/OR DAMAGE MAY RESULT IF THIS  
INSTRUCTION IS IGNORED.**

***OUR POLICY IS ONE OF CONTINUAL IMPROVEMENT. WE RESERVE THE  
RIGHT TO MODIFY THE SPECIFICATION OF THIS PRODUCT WITHOUT PRIOR  
NOTICE.***

**This owner's manual was  
provided as a service to you  
by:**



[www.airgunsofarizona.com](http://www.airgunsofarizona.com)

[airguns\\_az@yahoo.com](mailto:airguns_az@yahoo.com)

Phone: (480)461-1113

Fax: (480)461-3928