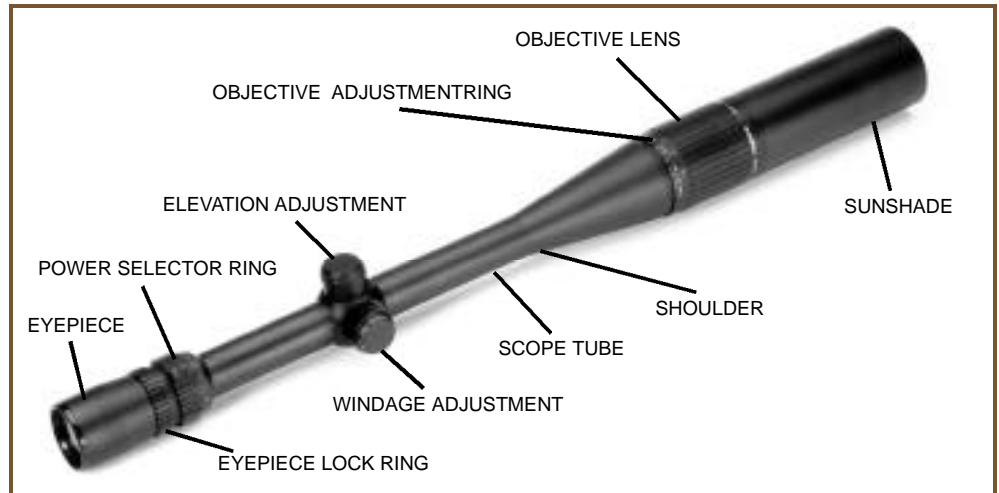


Instruction Manual

Congratulations on your choice of a Bushnell® Elite® riflescope. It is a precision instrument constructed of the finest materials and assembled by highly skilled craftsmen for a lifetime of trouble-free use under the most demanding conditions.

This booklet will help you achieve optimum performance by explaining how to use its various features and how to care for it. Read the instructions carefully before mounting and using your scope.

The accompanying photographs are guides to the nomenclature and location of the riflescope parts mentioned throughout this text.



RAINGUARD®

This new technology gives you a significant improvement in brightness and light transmission and provides unequaled clarity in the worst conditions. RAINGUARD® is the first coating to protect your riflescope against external fogging. Has your scope ever fogged on a cold day because you accidentally breathed on your eyepiece? Have you ever hunted on a cold, wet day and found it almost impossible to keep the outside of your scope from fogging? RAINGUARD® will help prevent these problems.

HOW IT WORKS

RAINGUARD® is a special water repellant coating on which condensation forms in much smaller droplets than on standard coatings. These droplets form when the scope is exposed to rain, fog or snow. These smaller droplets scatter much less light than the larger droplets on other coatings. This results in a much clearer and more useable sight picture. Additionally, water sheets off RAINGUARD® much more readily than a standard coating. For the first time, the hunter will not miss the shot of a lifetime because moisture was on the lens.

CARE OF RAINGUARD®

RAINGUARD® is an extremely durable, scratch-resistant, permanent coating that will give you years of service. To get the best performance, just keep the lenses clean. To clean, first blow away any dirt and dust or use a soft lens brush. Fingerprints and lubricants can be wiped off with lens tissue or a soft, clean cotton cloth moistened with lens cleaning fluid.

EYEPIECE FOCUSING

This adjusts the focus so that the reticle (cross hairs) appears sharp to your eyes. All Bushnell® riflescopes are focused at the factory for 20/20 or corrected vision. If the reticle appears sharp, no adjustment is needed. If the reticle appears unsharp, adjust as follows.

1. Release the Eyepiece from the Lock Ring by grasping the eyepiece with one hand and turning it counterclockwise away from the Lock Ring. No tools are needed.
2. Point the scope at the sky or a blank wall and with your eye about three inches from the eyepiece, turn the Eyepiece (clockwise for nearsightedness and counterclockwise for farsightedness) until the reticle appears sharp.
3. Check the focus by looking away for a few seconds and then quickly glancing back through the scope. Refocus if necessary.
4. When satisfied with the focus, retighten the Lock Ring against the Eyepiece.



WARNING: Never look at the sun through the riflescope (or any other optical instrument). It may permanently damage your eye.

MOUNTING

To achieve the best accuracy from your rifle, your Bushnell® scope must be mounted properly. (We strongly recommend that those unfamiliar with proper procedures have the scope mounted by a qualified gunsmith). Should you decide to mount it yourself:

1. Use a high-quality mount with bases designed to fit your particular rifle. The scope should be mounted as low as possible without touching either the barrel or the receiver.
 2. Carefully follow the instructions packed with the scope mounts you have selected.
 3. Before tightening the mount rings, look through the scope in your normal shooting position. Adjust the scope (either forward or backward) until you find the furthest point forward (to insure maximum eye relief) that allows you to see a full field of view.
- WARNING:** If the scope is not mounted far enough forward, its rearward motion may injure the shooter when the rifles recoils.
4. Rotate the scope in the rings until the reticle pattern is perpendicular to the bore and the elevation adjustment is on top.
 5. Tighten the mounting screws as tight as possible.

BORE SIGHTING

Bore sighting is a preliminary procedure to achieve proper alignment of the scope with the rifle bore. It is best done using a Bushnell® Bore Sighter. If a bore sighter is not available, it can be done as follows: Remove the bolt and sight through the gun barrel at a 100 yard target. Then sight through the scope and bring the crosshairs to the same point on the target. Certain mounts have integral windage adjustments and, when bore sighting, these should be used instead of the scope's internal adjustments. If major elevation adjustments are needed, they should be accomplished by shimming the mount base.

ZEROING

Final sighting-in of your rifle should be done with live ammunition, based on your expected shooting distance. If most of your shots will be at short range, zero-in at 100 yards. But, for long-range shooting at big game, most experienced shooters zero-in about three inches high at 100 yards. Three-shot groups are useful for averaging the point of impact.

ELEVATION AND WINDAGE ADJUSTMENT

Your Bushnell® Elite® scope features finger-adjustable, audible-click elevation and windage adjustments.

1. Remove the covers from the Elevation and Windage Adjustments.
2. Grasp the Adjustment Bar and turn it in the appropriate "UP" (and/or "R") direction indicated by the arrows. Each "click" or increment on the Adjustment Scale Ring will change the bullet impact by 1/4" Minute of Angle or 1/8" MOA depending on your scope model. See scope adjustment dial for the click adjustment value on your scope. 1/4 MOA corresponds to 1/4 inch at 100 yards, 1/2 inch at 200 yards, 3/4 inch at 300 yards and so on.



RESETTING THE ADJUSTMENT SCALE RING

This step is not necessary, but, for future reference, you may want to realign the zero marks on the Adjustment Scale Rings with the index dots.

1. Using a jeweler's screwdriver, loosen the two Phillips screws on the Adjustment Bar about 1/2 turn. Take care not to disturb your zero by "losing" a click or two when loosening the screws.
2. Rotate the Adjustment Scale Ring (which should now turn freely) to align the "O" with the Index Dot.
3. Retighten the screws in the Adjustment Bar and reinstall the Elevation and Windage Adjustment Knobs.



VARIABLE POWER ADJUSTMENTS

To change magnification, simply rotate the Power Selector Ring to align the desired number on the power scale with the Index Dot.

When still-hunting or stalking game, a variable scope should be set to the lowest power. You then have the widest field of view for quick shots at close range. Higher powers should be reserved for precise long-range shots.

WARNING: A scope should never be used as a substitute for either a binocular or spotting scope. It may result in your inadvertently pointing the gun at another person.

ADJUSTABLE OBJECTIVE LENS

This feature (if present on your scope) permits precise focusing, while simultaneously readjusting the parallax-free distance for any range from 10 yards to infinity. To change range focus, turn the Objective Adjustment Ring and align the number with the distance Index Dot. An alternative method is to look through the scope and turn the Objective Adjustment Ring until the target, at whatever range, is sharply focused.

MAINTENANCE

Your Bushnell® Elite® riflescope, though amazingly tough, is a precision instrument that deserves reasonably cautious care.

1. When cleaning the lenses, first blow away any dry dirt and dust, or use a soft lens brush. Fingerprints and lubricants can be wiped off with lens tissue, or a soft clean cloth, moistened with lens cleaning fluid.

WARNING: Unnecessary rubbing or use of a coarse cloth may cause permanent damage to the lens coatings.

2. All moving parts of the scope are permanently lubricated. Do not try to lubricate them.
3. No maintenance is needed on the scope's outer surface, except to occasionally wipe off dirt or fingerprints with a soft cloth.
4. Use lens covers whenever it is convenient.

STORAGE

Avoid storing the scope in hot places, such as the passenger compartment of a vehicle on a hot day. The high temperature could adversely affect the lubricants and sealants. A vehicle's trunk, a gun cabinet or a closet is preferable. Never leave the scope where direct sunlight can enter either the objective or the eyepiece lens. Damage may result from the concentration (burning glass effect) of the sun's rays.

WARRANTY/REPAIR

ELITE® LIFETIME LIMITED WARRANTY

We are so proud of our Bushnell® ELITE® Riflescopes that their materials and workmanship are warranted to be free of defects for the life of the ELITE Riflescope. The warranty is available to any owners of the ELITE Riflescope. No receipt or warranty card is required. This warranty does not cover damages caused by misuse or improper handling, installation or maintenance of the riflescope.

At our option, we will repair or replace any defective ELITE riflescope, which shall be your sole remedy under this warranty. In no event shall we be liable for transportation costs to us, costs of removal or reinstallation of the riflescope, or incidental or consequential damages. Some states do not allow the exclusion or limitation of incidental or consequential damages, so the above limitation or exclusion may not apply to you.

No agent, representative, dealer or unauthorized employee of Bushnell has the authority to increase or alter the obligation of this warranty.

This warranty gives you specific legal rights and you may have other rights which vary from state to state.

Any return made under this warranty must be accompanied by the items listed below:

- 1) Name and address for product return
- 2) An explanation of the defect
- 3) You are responsible for transport of the defective product but we will pay for shipping the repaired or replacement product back to you anywhere in the continental United States.
- 4) Product should be well packed in a sturdy outside shipping carton to prevent damage in transit and return postage prepaid to the address listed below:

IN U.S.A. Send To:

Bushnell Performance Optics
8500 Marshall Drive
Lenexa, Kansas 66214

IN CANADA Send To:

Bushnell Performance Optics
25A East Pearce Street, Unit 1
Richmond Hill, Ontario L4B 2M9

IN EUROPE:

In the event of a defect we will at our option, repair or replace the product. Contact your local dealer to find out where to send your riflescope.

©2001 Bushnell Performance Optics